



New Hollow-Shaft Hypoid PMDC Gearmotors

Low Voltage 12VDC and 24VDC

The new type 33A7-25H2 and 33A7-30H3 hypoid gearmotor combines our high-performance 33A PMDC motor with our all new hypoid gearheads. The gearmotor's high torque and efficient performance make it an ideal drive for battery or solar-powered gates, industrial conveyor systems, AGVs, mobile industrial equipment, or food-processing equipment.

All-New Type 25H2 and 30H3 Hypoid Gearhead

- More energy-efficient than similar worm-gear models
- Hollow shaft eliminates expensive shaft couplings, and mounting hardware
- Unvented gearhousing mounts in any orientation
- Permanently lubricated with high-performance lubricant
- Hardened steel gears for long life and maximum performance

33A Motor Features

- Totally enclosed non-ventilated
- High starting torque
- Class "F" insulation and ratings.
- Pre-seated motor brushes for optimum performance and quiet operation
- Permanently lubricated, noise-tested, sealed, ball bearings
- Encoder-compatible with new optional screw-in encoder shaft kit (standard/stock models supplied with factory-installed cover over shaft opening).



Type 33A7-25H2



Type 33A7-30H3



Typical Applications

Ideal for applications that require higher torque and lower power consumption than gearheads utilizing worm gears can provide: conveyors, pumps, packaging and other industrial automation equipment.

Gearmotor Specifications and Ratings

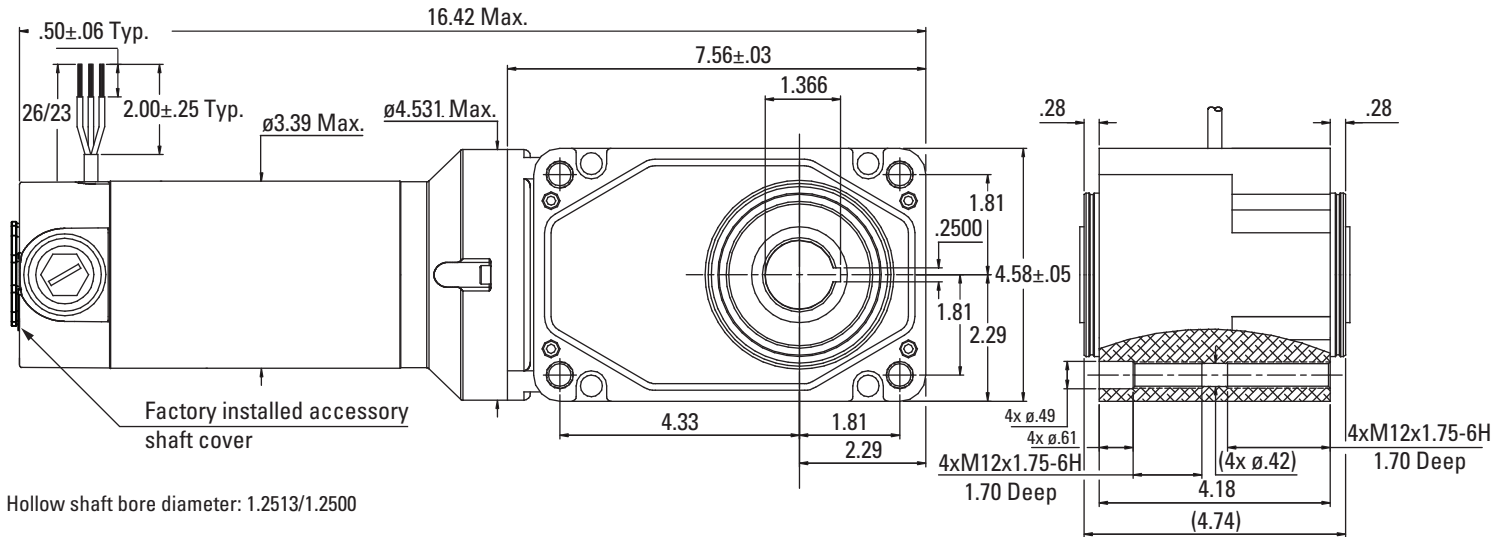
Speed (rpm)	Rated Torque (lb-in.)		Rated Current (Amps)		Peak Torque (lb-in.)		Power (HP)		Form Factor	Gear Ratio	Radial Load (lbs.)	Length (inches)	Weight (lbs.)	Product Type	Item Number	
	12V	24V	12V	24V	12V	24V	12V	24V							12V	24V
12 or 24 VDC, Totally Enclosed, Non-ventilated, Class F Insulation																
10	865	1535	17	14	1872	3212	1/5	1/3	1.0	240	708	16.37	24	33A7-30H3	3060	3047
13	720	1280	17	14	1560	2676	1/5	1/3	1.0	200	708	16.37	24	33A7-30H3	3059	3046
16	580	1025	17	14	1248	2141	1/5	1/3	1.0	160	708	16.37	24	33A7-30H3	3058	3045
21	435	770	17	14	936	1606	1/5	1/3	1.0	120	708	16.37	24	33A7-30H3	3057	3044
31	290	510	17	14	624	1071	1/5	1/3	1.0	80	696	16.37	24	33A7-30H3	3056	3043
42	220	390	17	14	474	813	1/5	1/3	1.0	60	575	14.82	20	33A7-25H2	3054	3042
63	145	260	17	14	316	542	1/5	1/3	1.0	40	518	14.82	20	33A7-25H2	3053	3041
83	120	210	17	14	257	440	1/5	1/3	1.0	30	475	14.82	20	33A7-25H2	3052	3040
125	80	140	17	14	171	293	1/5	1/3	1.0	20	419	14.82	20	33A7-25H2	3051	3039
167	60	105	17	14	128	220	1/5	1/3	1.0	15	388	14.82	20	33A7-25H2	3050	3038
250	40	70	17	14	86	147	1/5	1/3	1.0	10	342	14.82	20	33A7-25H2	3049	3037
500	20	35	17	14	43	73	1/5	1/3	1.0	5	277	14.82	20	33A7-25H2	3048	3036

Ratings are based on operation from DC power. Performance may vary with a speed control.



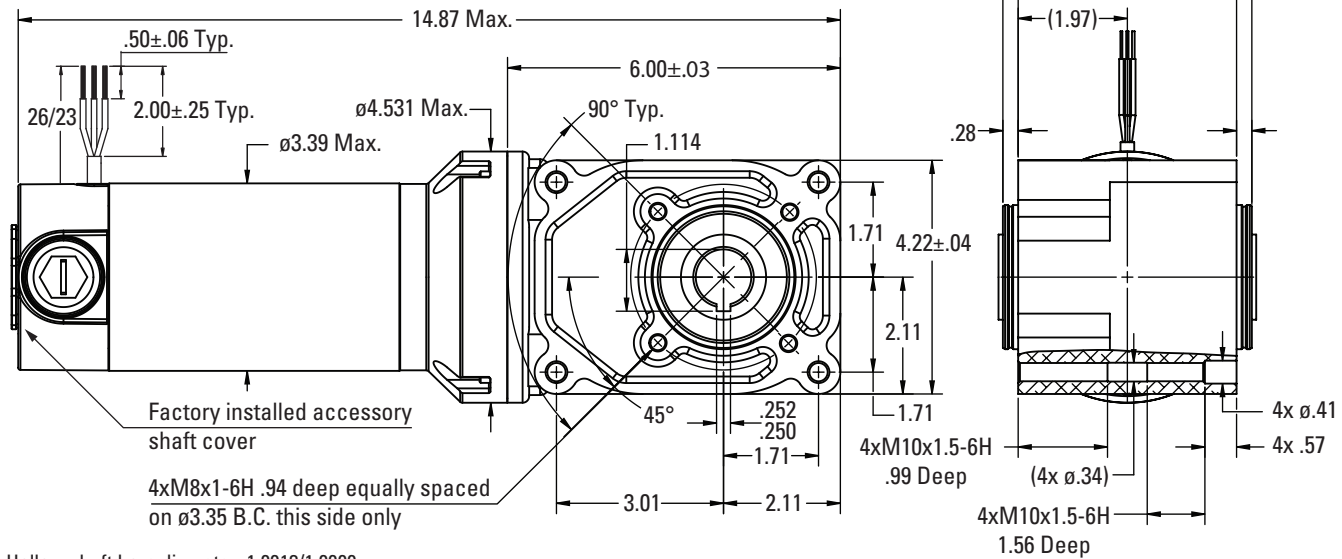
33A7-30H3 PMDC Hypoid Gearmotor (12VDC and 24VDC)

Dimensions (inches)



Hollow shaft bore diameter: 1.2513/1.2500

33A7-25H2 PMDC Hypoid Gearmotor



Hollow shaft bore diameter: 1.0013/1.0000

Hypoid Gearmotor Accessories



Die cast terminal box kits
Model 0984, 0986 (large), and 1984 (Metric)



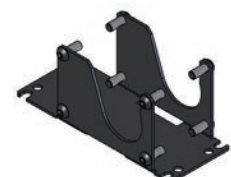
Screw-in accessory shaft kit for encoders
Model 0964



Shaft cover kits
Model 0952 for type 25H2 gearhead
Model 0953 for type 30H3 gearhead



Shaft kits
Model 0929 for type 25H2 gearhead (1" dia.)
Model 0930 for type 30H3 gearhead (1-1/4" dia.)



Base/foot mount brackets
Model 0957 for type 25H2 gearhead
Model 0959 for type 30H3 gearhead

© Copyright 2020. All rights reserved. 07481128.A