

4

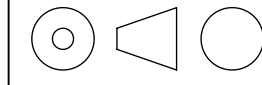
3

2

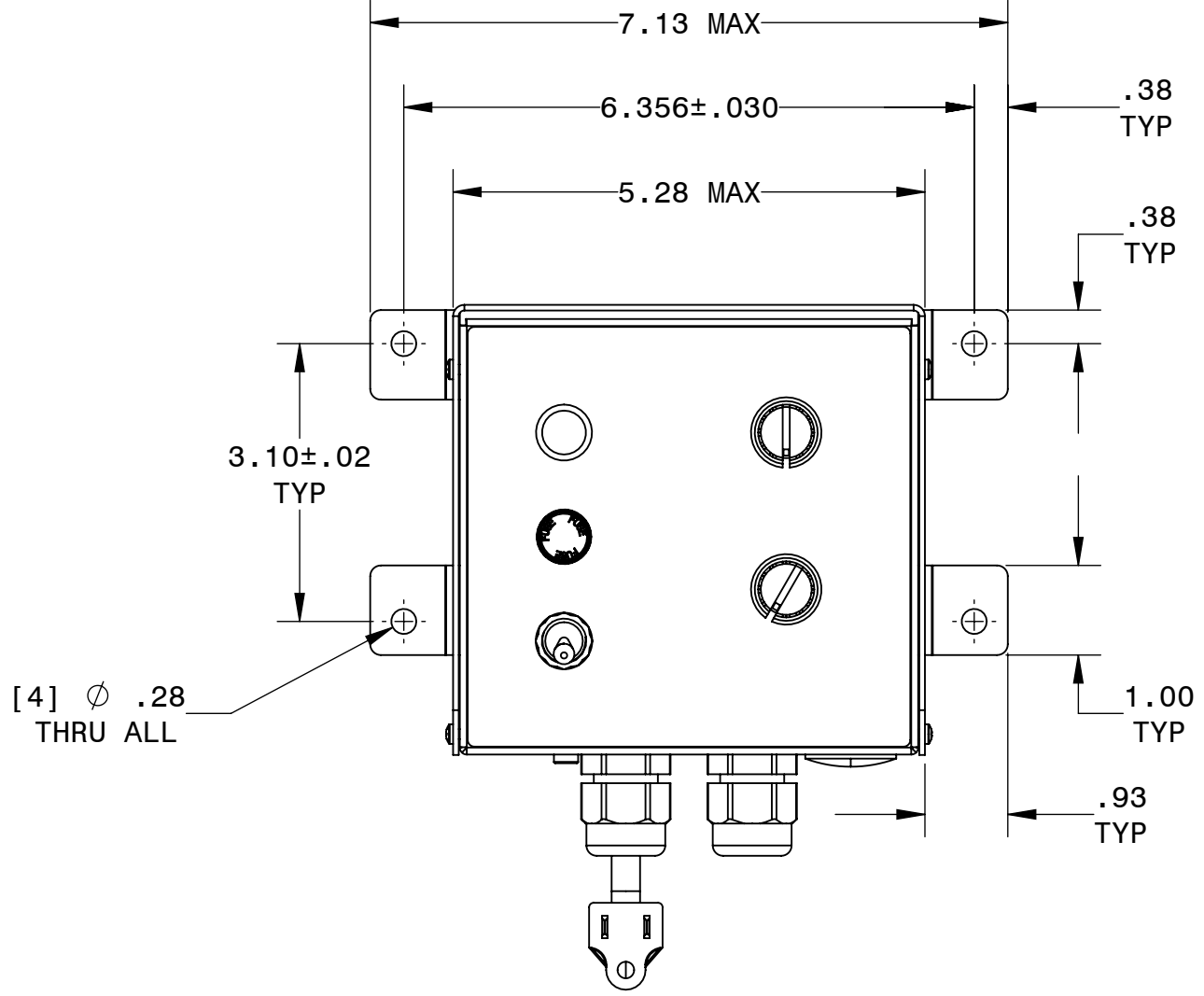
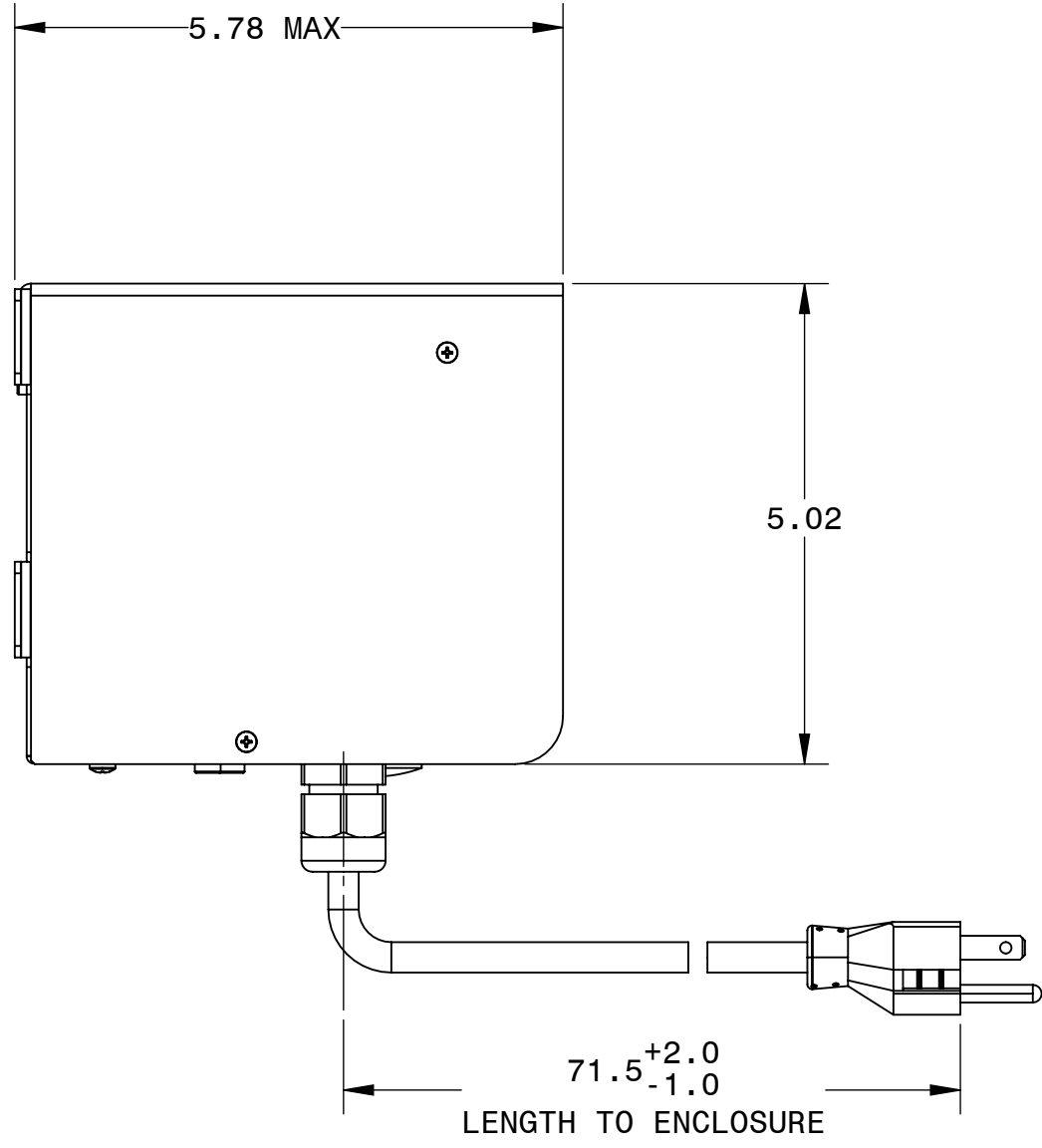
1

BODINE ELECTRIC COMPANY

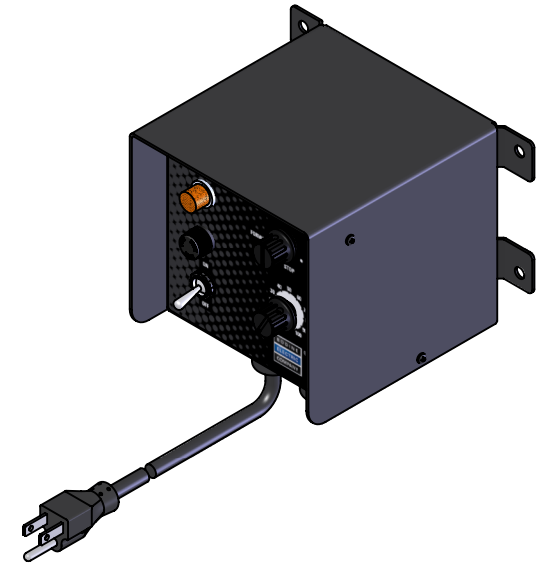
PART NO./REV: INFM0364 A	
DESCRIPTION: CONTROL WPM-2148E1	
SHEET: Sheet1	UNLESS OTHERWISE SPECIFIED: UNITS ARE IN INCHES [mm] TOLERANCES: .XX:±.01 .XXX:±.005 ANGLES: X°:±3° X.X°:±0.5°
SCALE: 1:2	
B	



NOTE:
PRODUCT IS SHIPPED WITH COVER FASTENERS IN A SEPARATE BAG.
ENCLOSURE IS SHOWN ASSEMBLED WITH FASTENERS INSTALLED



REPRESENTATIVE OF MODEL NUMBER(S):
0794



4

3

2

1