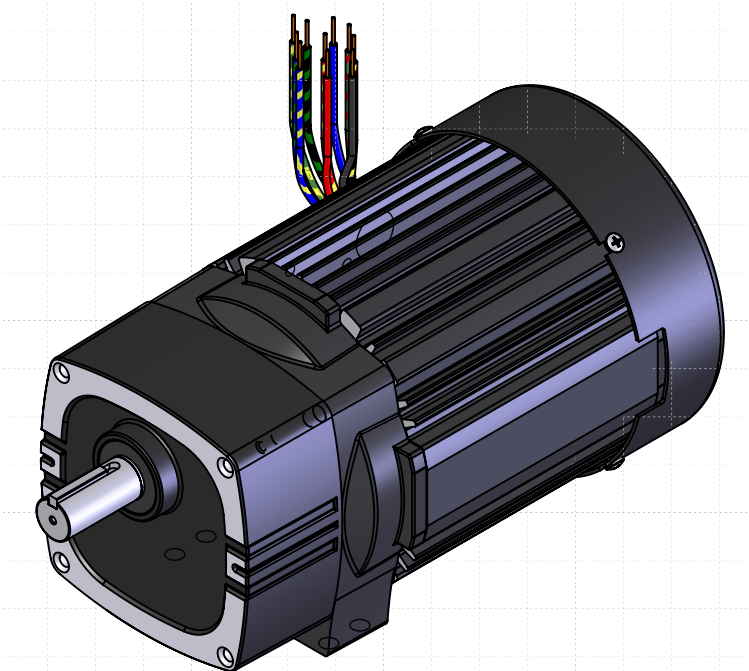
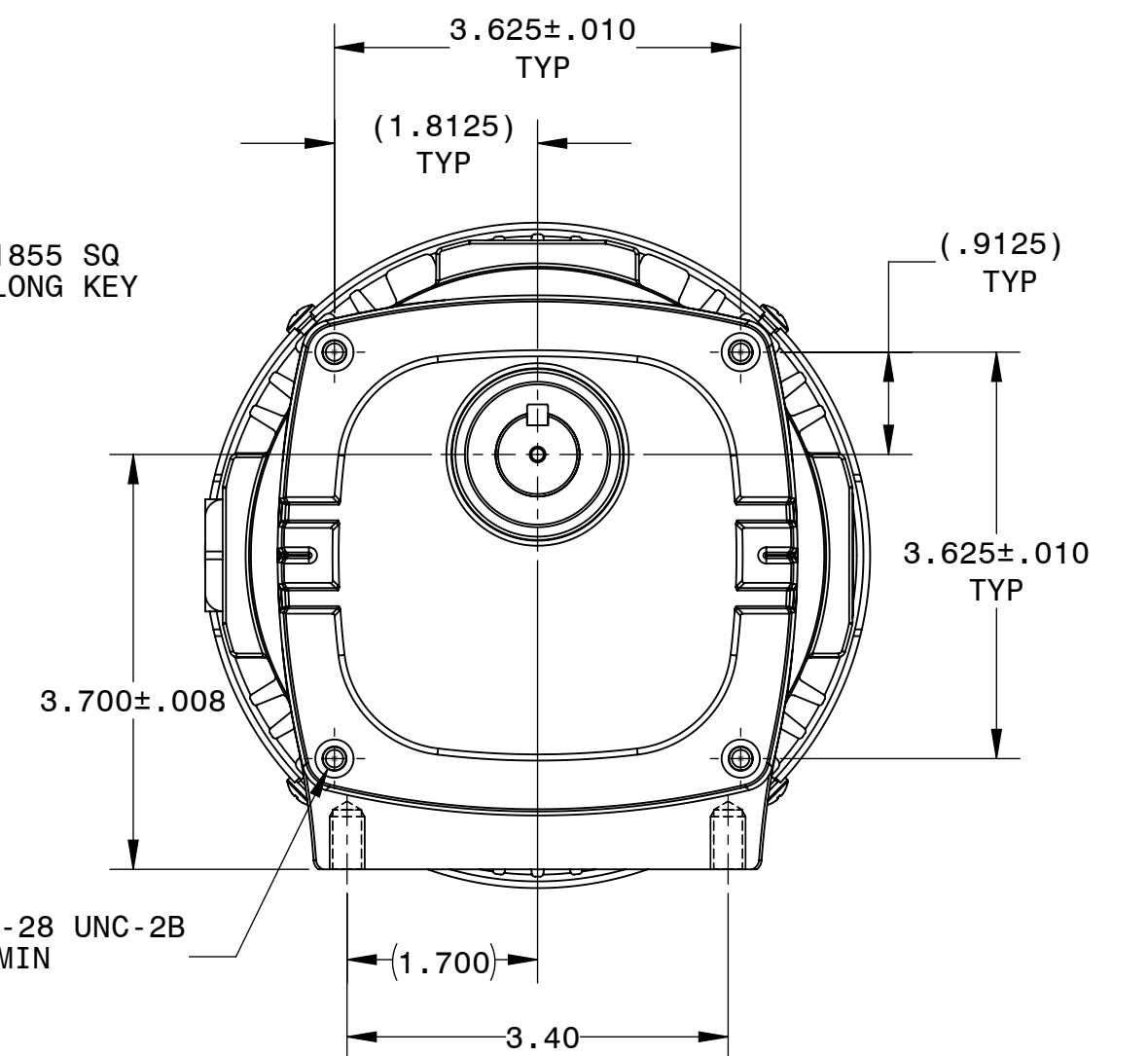
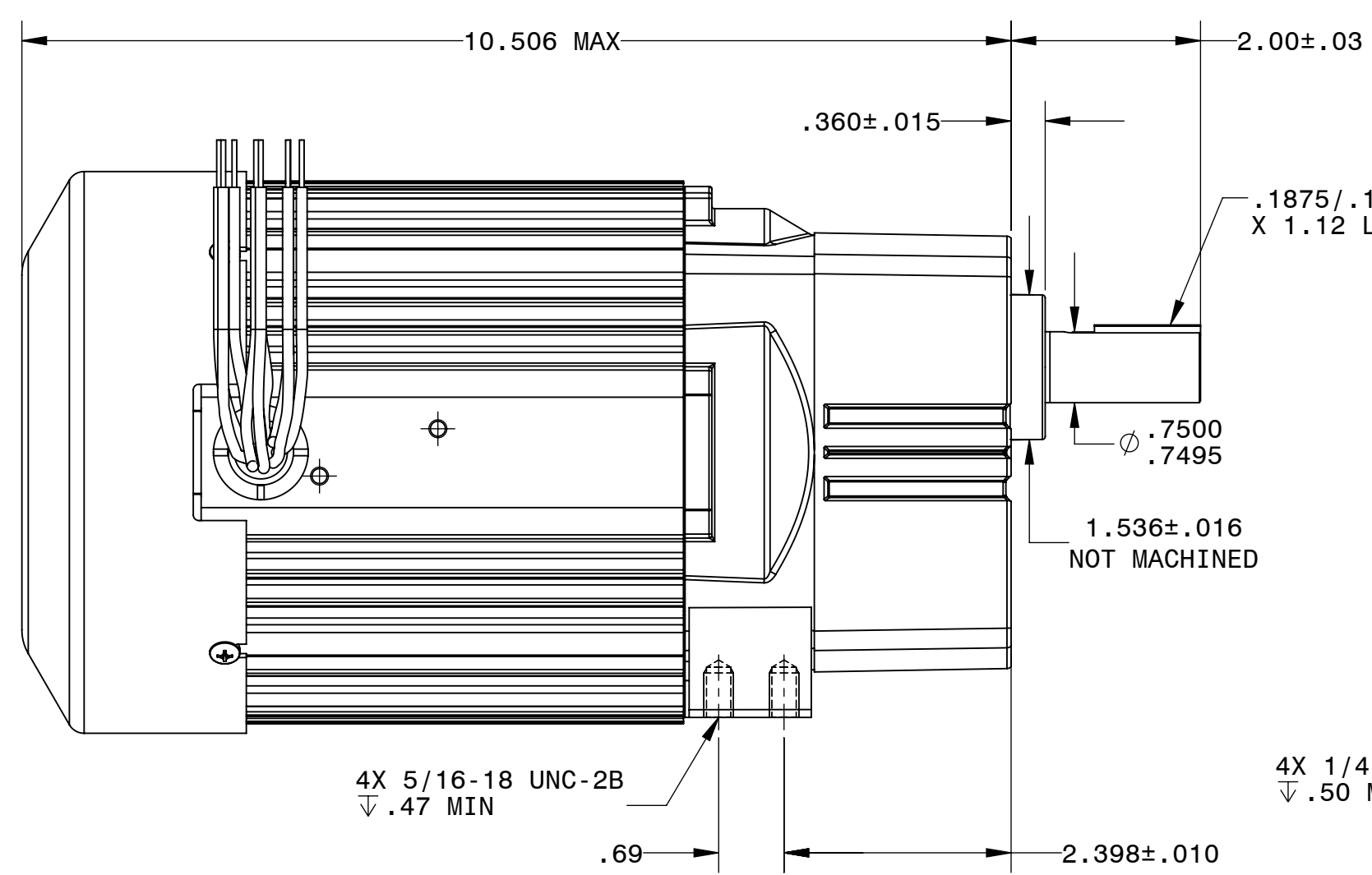
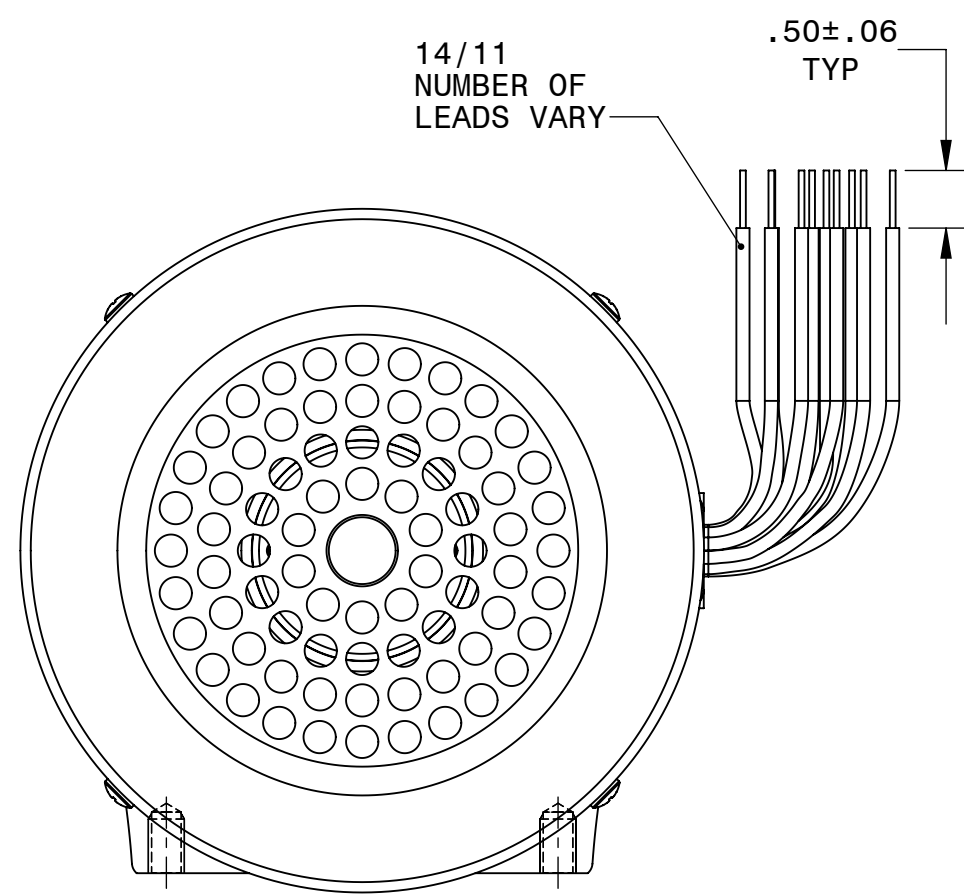


DESCRIPTION:  
GEARMOTOR 48R6BFPP/CI-FX1/2/3

SHEET: 1/1  
SCALE: 3:5  
C  
UNLESS OTHERWISE SPECIFIED:  
UNITS ARE IN INCHES [mm]  
TOLERANCES: .XX:±.01 .XXX:±.005  
ANGLES: X°:±3° X.X°:±0.5°



REPRESENTATIVE OF MODEL NUMBER(S):

5691 5692 5693 5694 5695