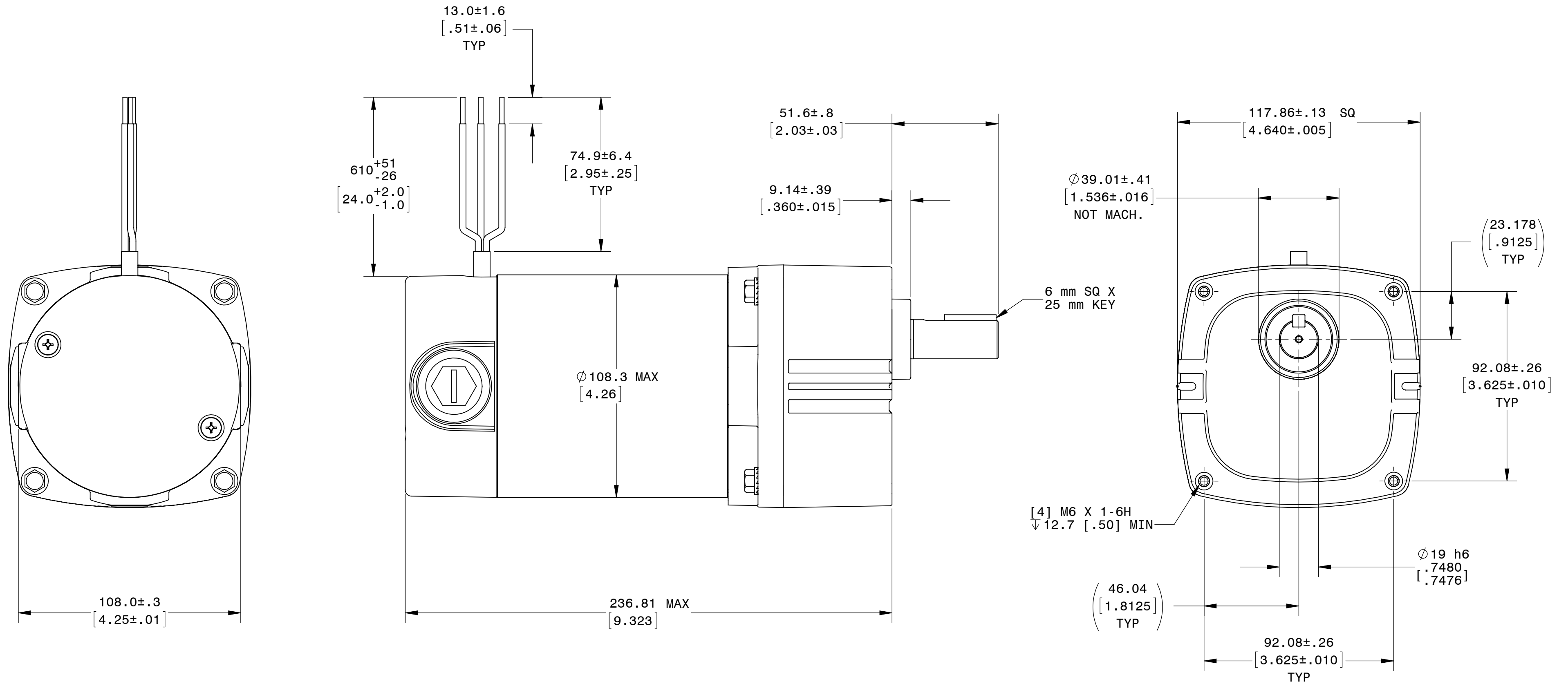


DESCRIPTION:  
GEARMOTOR 42A5BEPM-E METRIC

SHEET: **Sheet1**  
SCALE: **2:3**  
**C**

UNLESS OTHERWISE SPECIFIED:  
UNITS ARE IN mm [INCHES]  
ANGLES: X°:±3° X.X°:±0.5°



REPRESENTATIVE OF MODEL NUMBER(S):  
4275

