

AC Motor Speed Control Model 2999 NEMA-4X/IP-65

The Bodine Electric model 2999 3-phase AC motor speed control is designed to drive 230 VAC, 50 or 60 Hz, inverter-duty, 3-phase gearmotors and motor that are rated up to 1 HP (746 Watts). It operates from a single-phase, 115 or 230 VAC line, and is housed in a NEMA-4X/IP-65 washdown and watertight aluminum die-cast enclosure. The sine wave coded Pulse Width Modulated (PWM) output operates at a carrier frequency of 16kHz, which provides high motor efficiency and low noise. Adjustable linear acceleration and deceleration make the drive suitable for soft-start applications.

- **User-Friendly Design:** does not require programming; Uses trimpots and jumpers; factory set for most applications. GFCI compatible.
- **Switches installed:** Forward-Stop-Reverse, Start/Stop, and On/Off
- **Drive intended for stand-alone operation**
- **Motor Horsepower Selection Jumper:** allows the drive to be used with a wide range of motors without recalibration
- **Diagnostic LEDs:** power on (Power) and drive status (Drive)
- **Run/Fault Relay Output Contacts:** Switches equipment to the on and off position. Signals stop mode when a fault has occurred.
- **The Speed Control:** provides more than 200% starting torque which ensures startup of high frictional loads.
- **Slip Compensation with Static Auto-Tune and Boost:** provides excellent load regulation over a wide speed range.
- **Undervoltage and Overvoltage:** shuts down the drive if the AC line input voltage goes above or below the operating range.



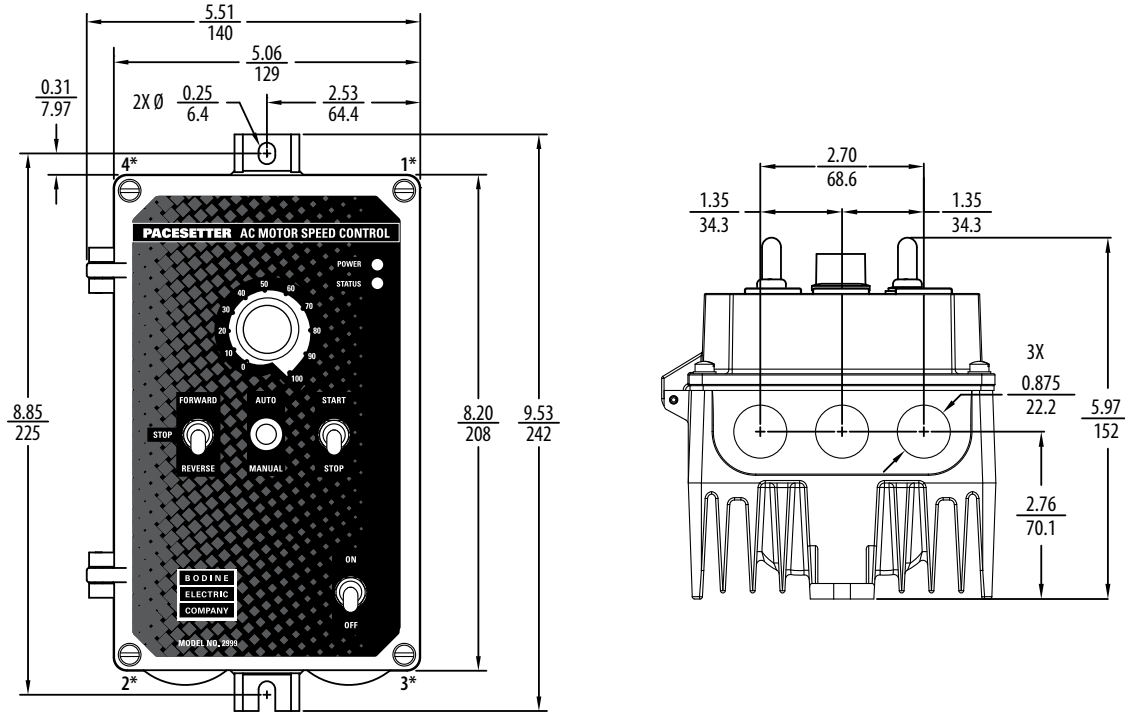
Typical Applications

Ideal for use in bi-directional applications such as conveyors, packaging machines, screen printing equipment, conveyor ovens (food processing applications), medical devices, lab instrumentation and labeling equipment.

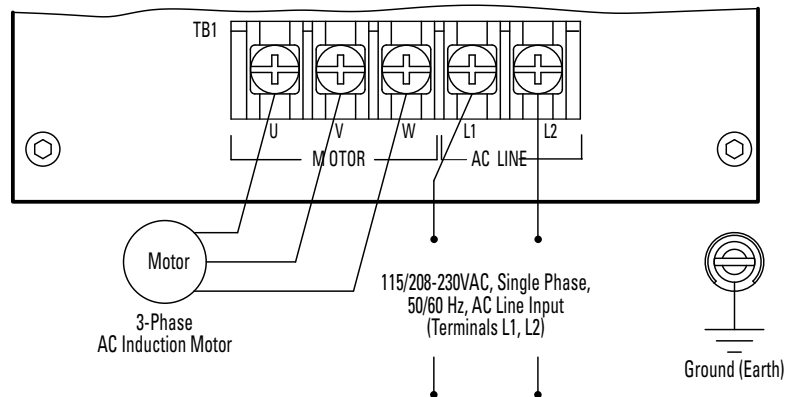
Model No.	Max. HP		AC Line Voltage (50/60 Hz)	Phase (Ø)	Max. AC Line Current (Amps AC)	Fuse or Circuit Breaker Rating (Amps)	Voltage Range (Volts AC)	Max. Load Current (Amps/Phase)	Motor Horsepower Selection (Jumper J2)				
	HP	kW							1'	3/4	1/2	1/4	1/8
2999	1	.75	115	1	16	20	0 - 208/230	3.6	1'	3/4	1/2	1/4	1/8
			208/230		10	15							

1. Bold indicates factory setting. Jumper J2 is labeled "1", "3/4", "1/2", "1/4", "1/8" (factory set to the "1" position).

Bodine AC Motor Speed Control Model 2999 Dimensions (inches/mm)



Connections



Bodine offers over 1,400 standard gearmotors, motors and system-matched speed controls.

Visit www.bodine-electric.com for all your motion control needs.

Bodine offers the widest selection of variable-speed AC, permanent magnet DC and brushless DC fractional horsepower gearmotors and motors in the industry. For complete specifications, 2D/3D CAD drawings, or to order online, visit bodine-electric.com.

