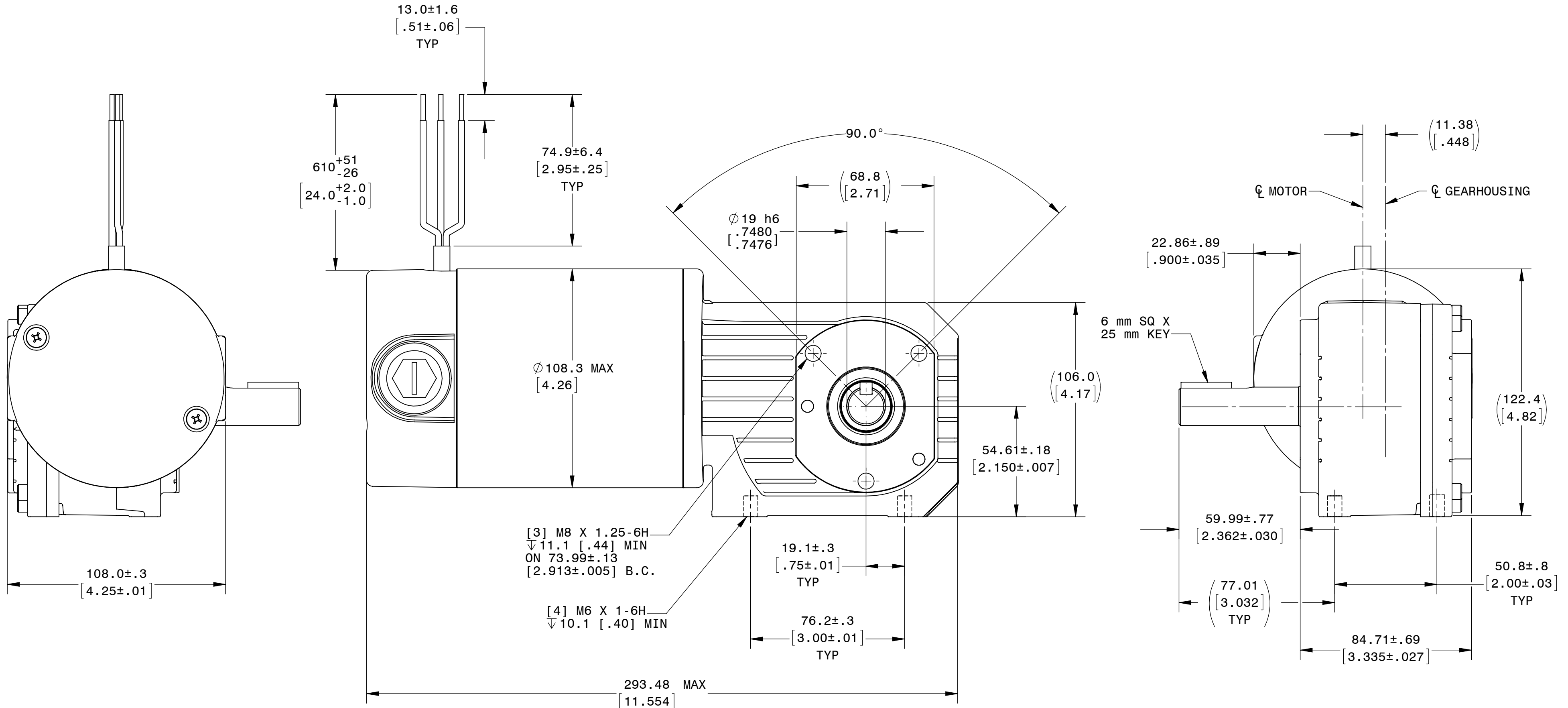


DESCRIPTION:
GEARMOTOR 42A5BEPM-GB METRIC

SHEET: Sheet1
SCALE: 2:3
C

UNLESS OTHERWISE SPECIFIED:
UNITS ARE IN mm [INCHES]
ANGLES: X°:±3° X.X°:±0.5°



REPRESENTATIVE OF MODEL NUMBER(S):
1360 1362 1364 1366

