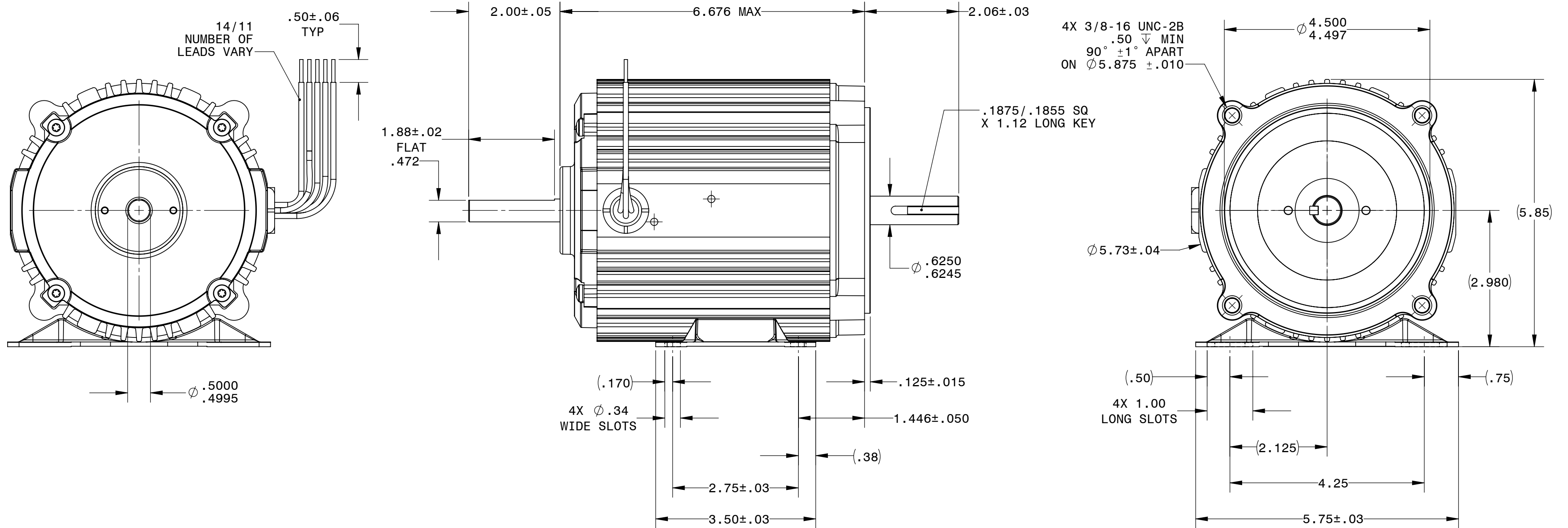


DESCRIPTION:
MOTOR 48R6FECI

SHEET: 1/1
SCALE: 3:5
C

UNLESS OTHERWISE SPECIFIED:
UNITS ARE IN INCHES [mm]
TOLERANCES: .XX:±.01 .XXX:±.005
ANGLES: X°:±3° X.X°:±0.5°



REPRESENTATIVE OF MODEL NUMBER(S) :

0632

