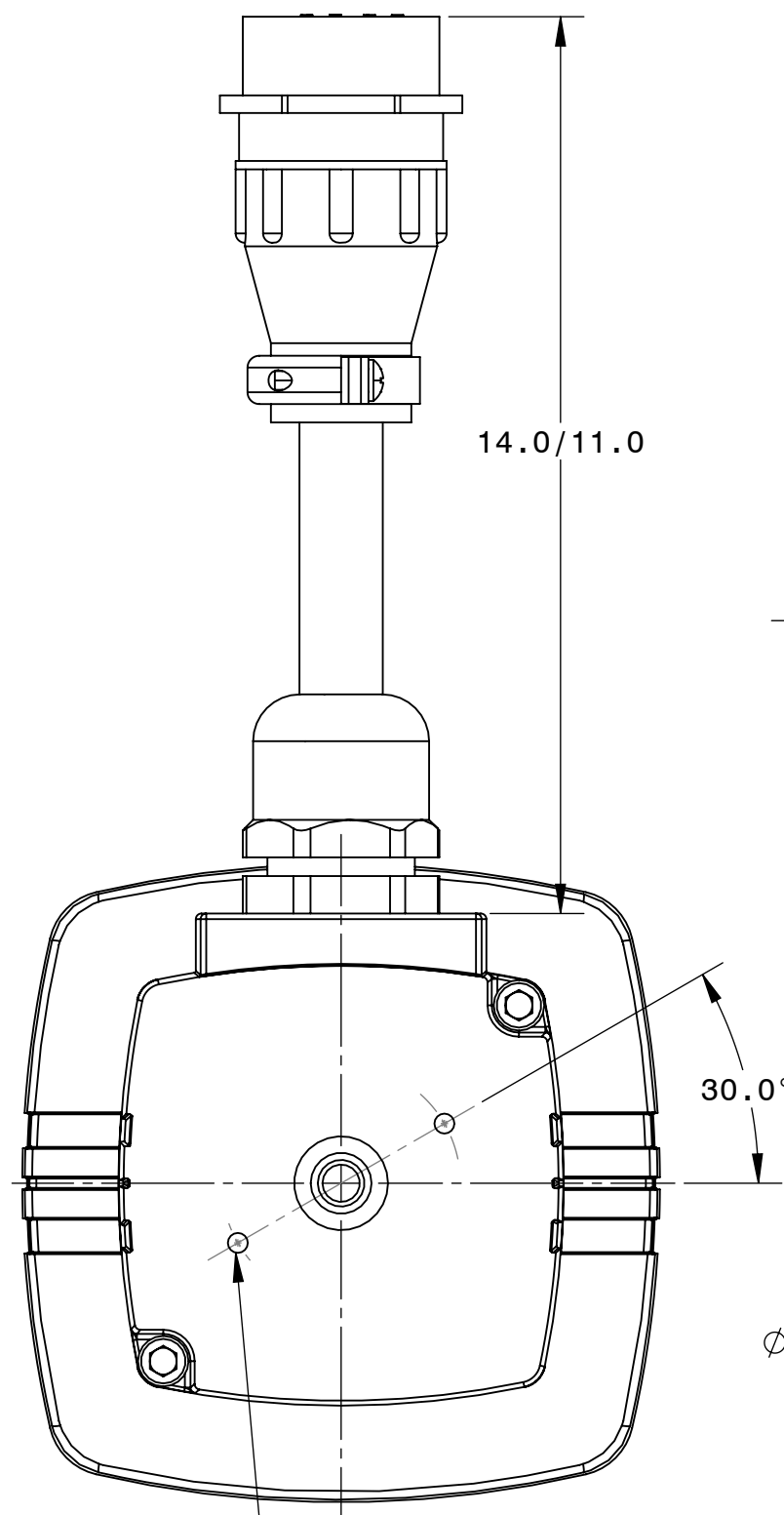
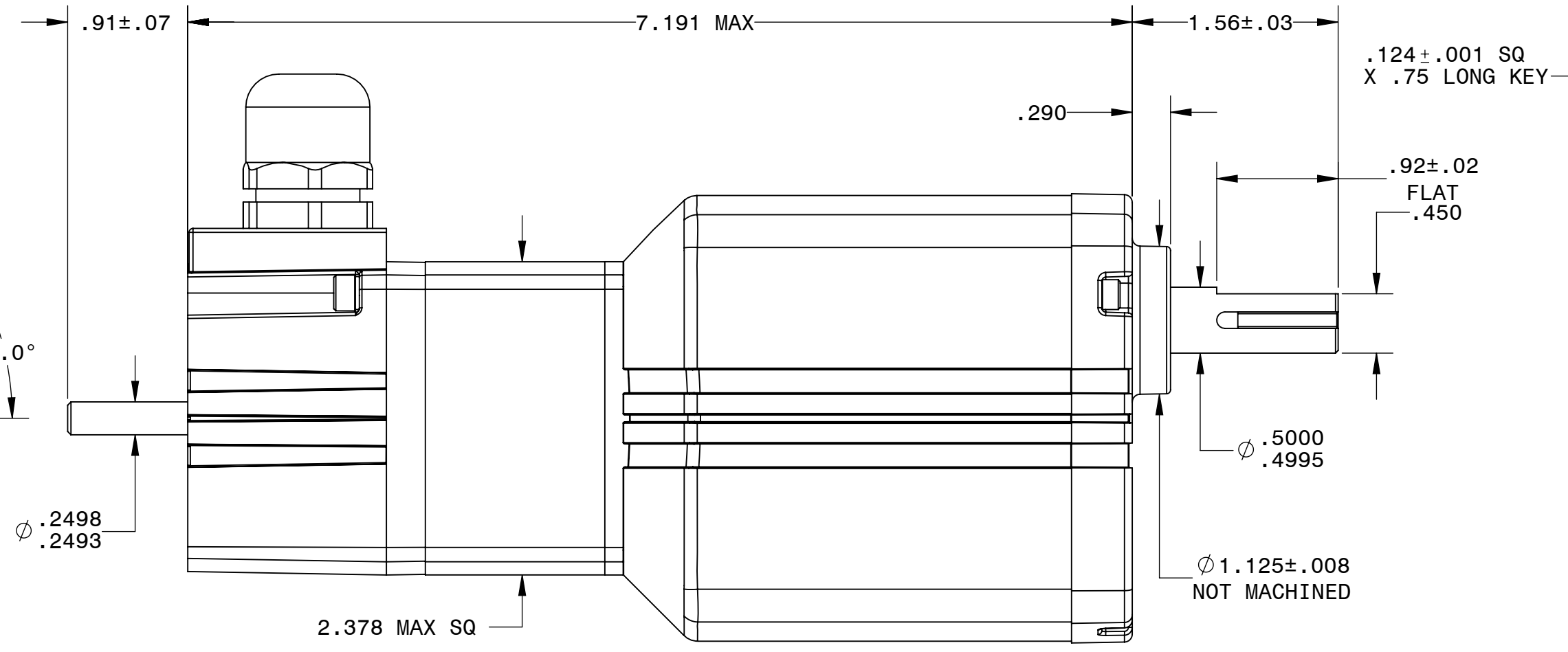


DESCRIPTION: GEARMOTOR 22B3FEBL-Z3/4	
SHEET: 1/1	UNLESS OTHERWISE SPECIFIED:
SCALE: 1:1	UNITS ARE IN INCHES [mm]
C	TOLERANCES: .XX:±.01 .XXX:±.005
	ANGLES: X°:±3° X.X°:±0.5°



14.0/11.0

30.0°



Ø .2498  
Ø .2493

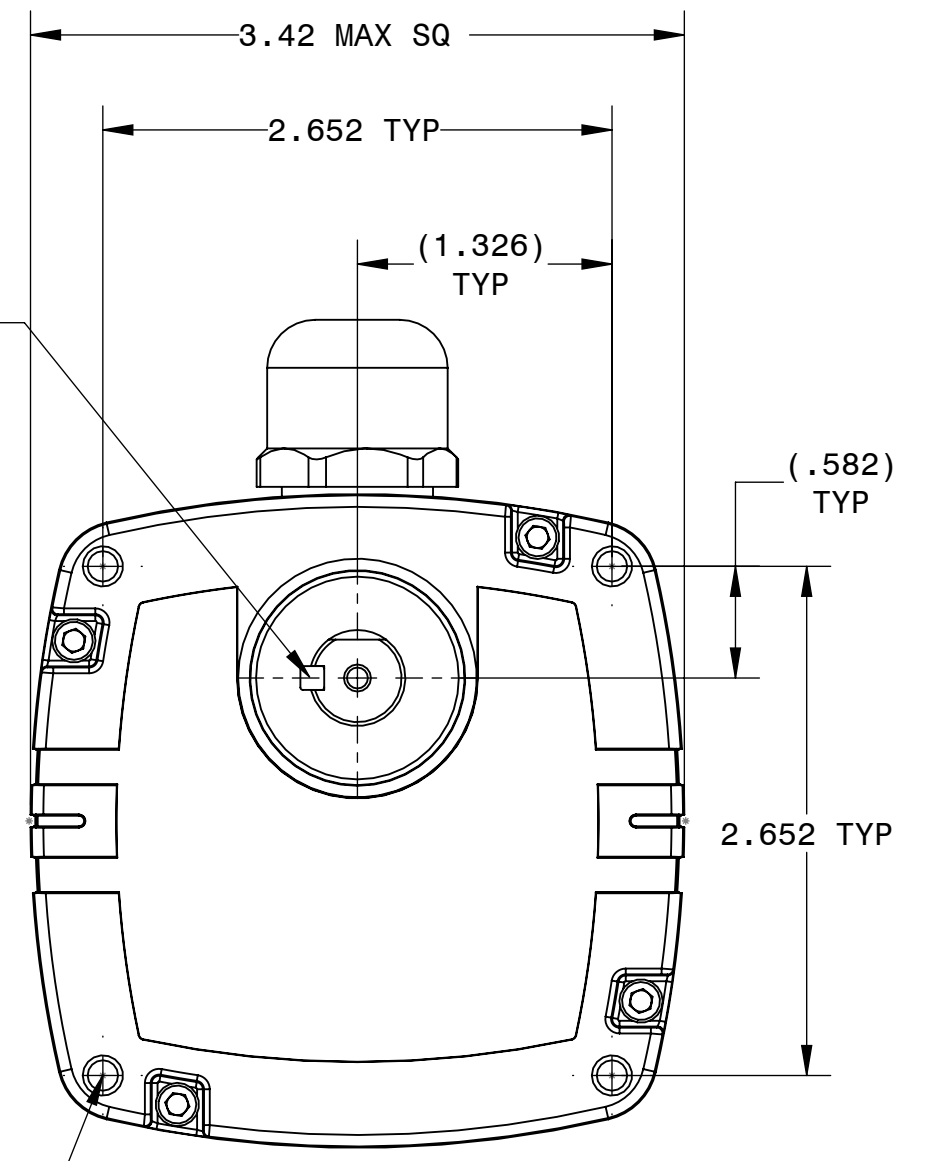
2.378 MAX SQ

.124±.001 SQ  
X .75 LONG KEY

.92±.02  
FLAT  
.450

Ø .5000  
.4995

Ø 1.125±.008  
NOT MACHINED



3.42 MAX SQ

2.652 TYP

(1.326)  
TYP

(.582)  
TYP

2.652 TYP

[2] #6-32 UNC-2B  
.19 MAX ↓ 180°  
APART ON Ø 1.274

[4] #10-32 UNF-2B  
.455 MIN ↓

REPRESENTATIVE OF MODEL NUMBER(S):  
3460 3461 3462 3463

