

# Type WPM

## Filtered DC Motor Speed Controls

The WPM filtered control provides high torque and lower operating temperatures. It features pulse width modulation (PWM) circuitry for precise speed control. DIP switches allow the control to be easily calibrated for different size motors. Controls are available with either ¼" quick connect tabs or a plug-in terminal block.

- **Input Voltage:** 115 VAC, 50/60 Hz; **Output Voltage:** 0-130 VDC
- **Form Factor:** 1.0
- **Inhibit Function:** connections for optional user-supplied inhibit switch available
- **Filtered DC Output:** for cooler motor operation, longer brush life, lower audible noise, and wider speed range
- **Back EMF Feedback:** maintains better than 2% speed regulation
- **Two Diagnostic LEDs:** indicate when power is on and when current output is at limit set by TORQ pot
- **User-Adjustable Pots:** for torque limit, minimum speed limit, maximum speed limit, acceleration time, and speed regulation
- **Choice of Connections:** Four chassis style models are available. Models 0780 and 0781 have ¼" quick connect tabs. Models 0783 and 0784 have a plug-in terminal block (shown).
- **Speed Adjustment:** 10 kΩ single turn speed pot (supplied with chassis type controls); speed can also be adjusted via isolated 0-5 VDC remote signal (optional isolation card required)
- **Optional Model 3984 Isolation Card:** provides 4-20ma interface, a grounded circuit reference, and signal for multiple controls; sold separately



### Chassis Type

(Terminal block connection shown)



### NEMA-1 Enclosure

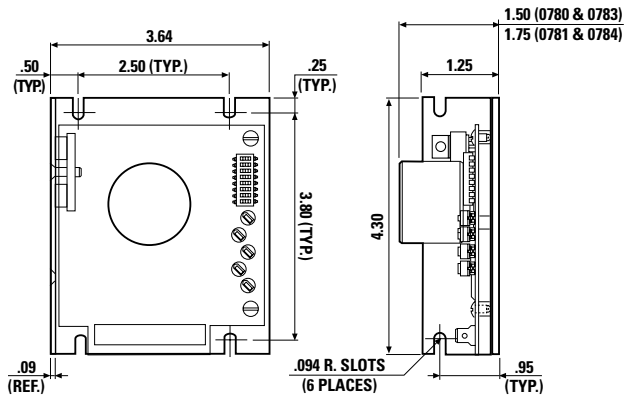


### Typical Applications

Ideal for use in single direction applications such as: industrial conveyors, packaging machines, screen printing equipment, conveyor ovens (food processing applications), medical devices, lab instrumentation and labeling equipment.

HP Rating	Continuous Output Current (Amps)	Peak Output Current (Amps)	Product Type	Model Number	
				¼" QC Connect	Terminal Block Connect
1/6	1.25	2.50	WPM-2109C (Chassis)	0780	0783
7/16	3.20	5.00	WPM-2137C (Chassis)	0781	0784
1/6	1.25	2.50	WPM-2109E1 (Enclosed)	—	0790
7/16	3.20	5.00	WPM-2137E1 (Enclosed)	—	0791

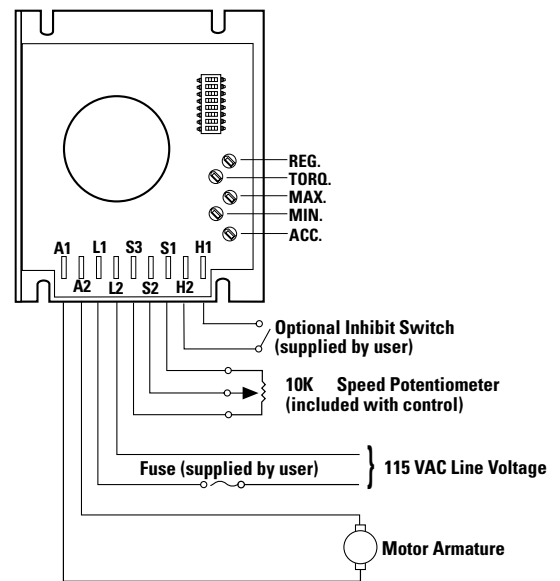
### WPM Dimensions (Chassis)



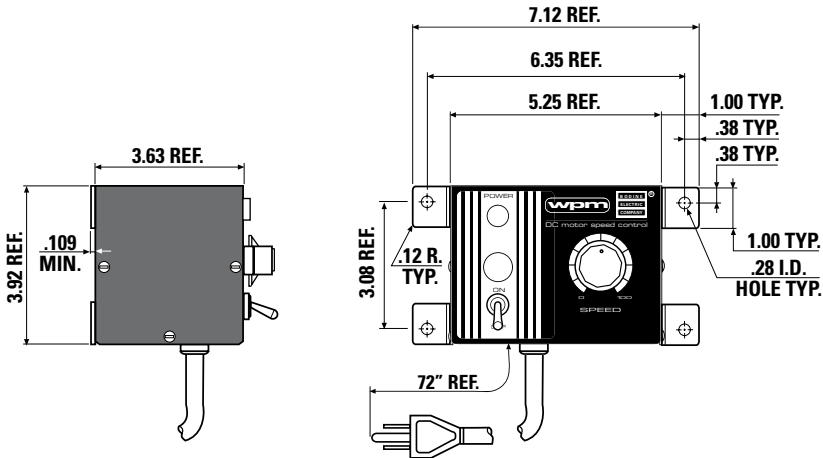
All wires external to control must be supplied by user

\* This fuse should only be used when L2 is not neutral (such as for 230 VAC operation in USA)

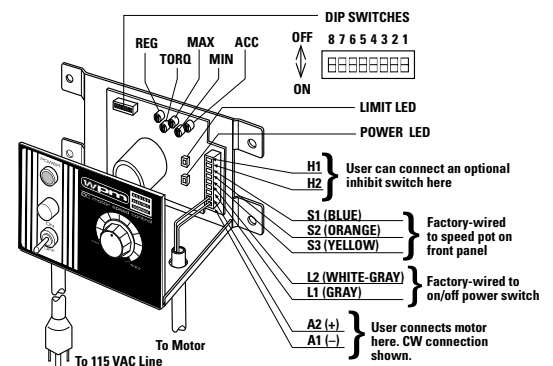
### WPM Connection Diagram (Chassis)



### WPM Dimensions (NEMA-1)



### WPM Connection Diagram (NEMA-1)



**Bodine offers over 1,000 standard gearmotors, motors and system-matched speed controls.**

Visit [www.bodine-electric.com](http://www.bodine-electric.com) for all your motion control needs.

Bodine offers the widest selection of variable-speed AC, permanent magnet DC and brushless DC fractional horsepower gearmotors and motors in the industry. For complete specifications, 2D/3D CAD drawings, or to order online, visit [bodine-electric.com](http://bodine-electric.com).

