

4

3

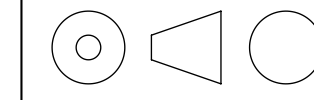
2

1

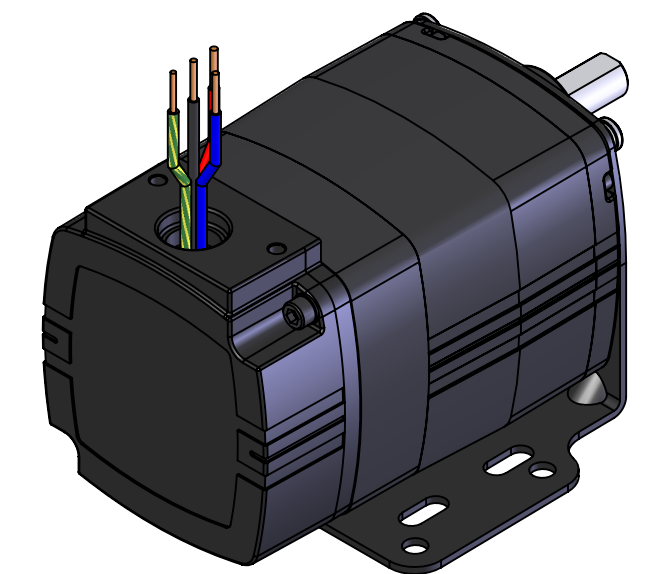
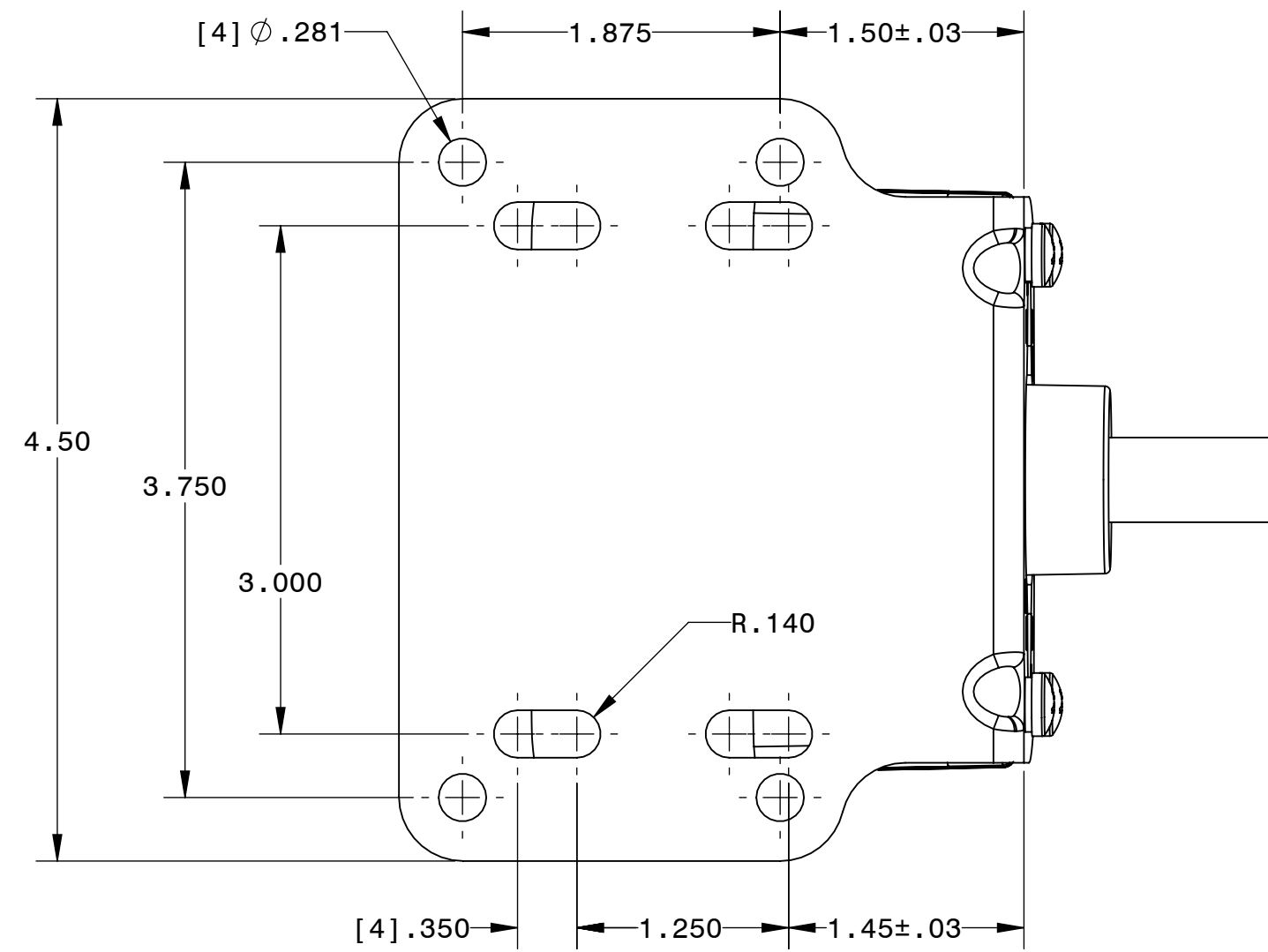
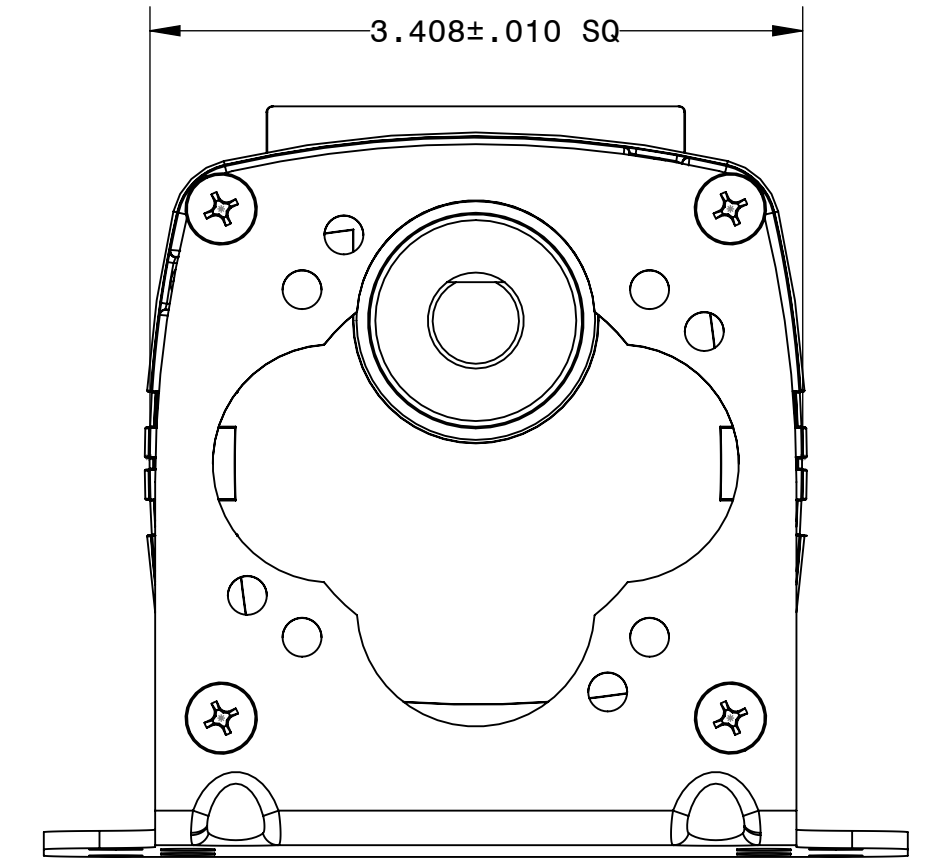
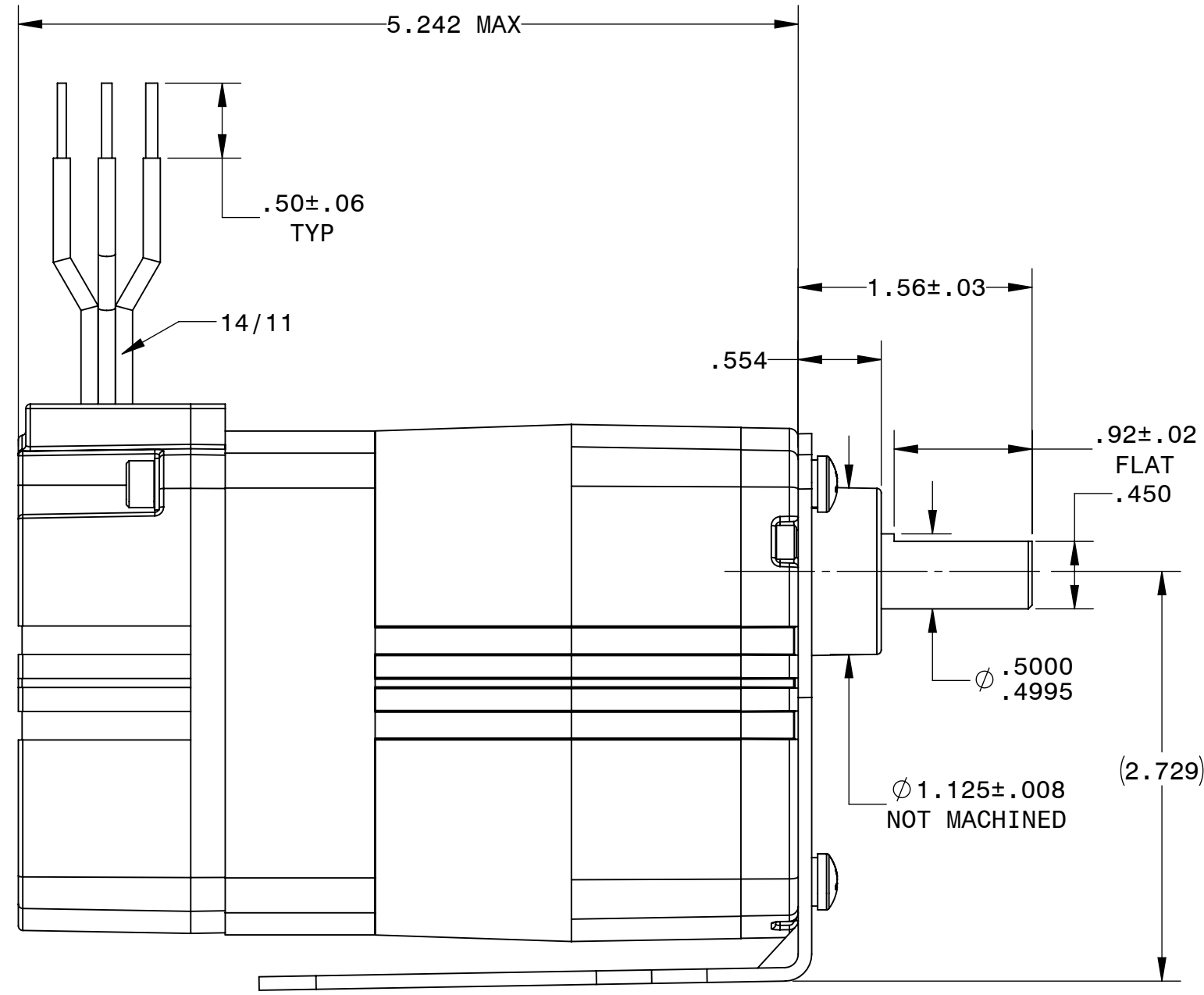
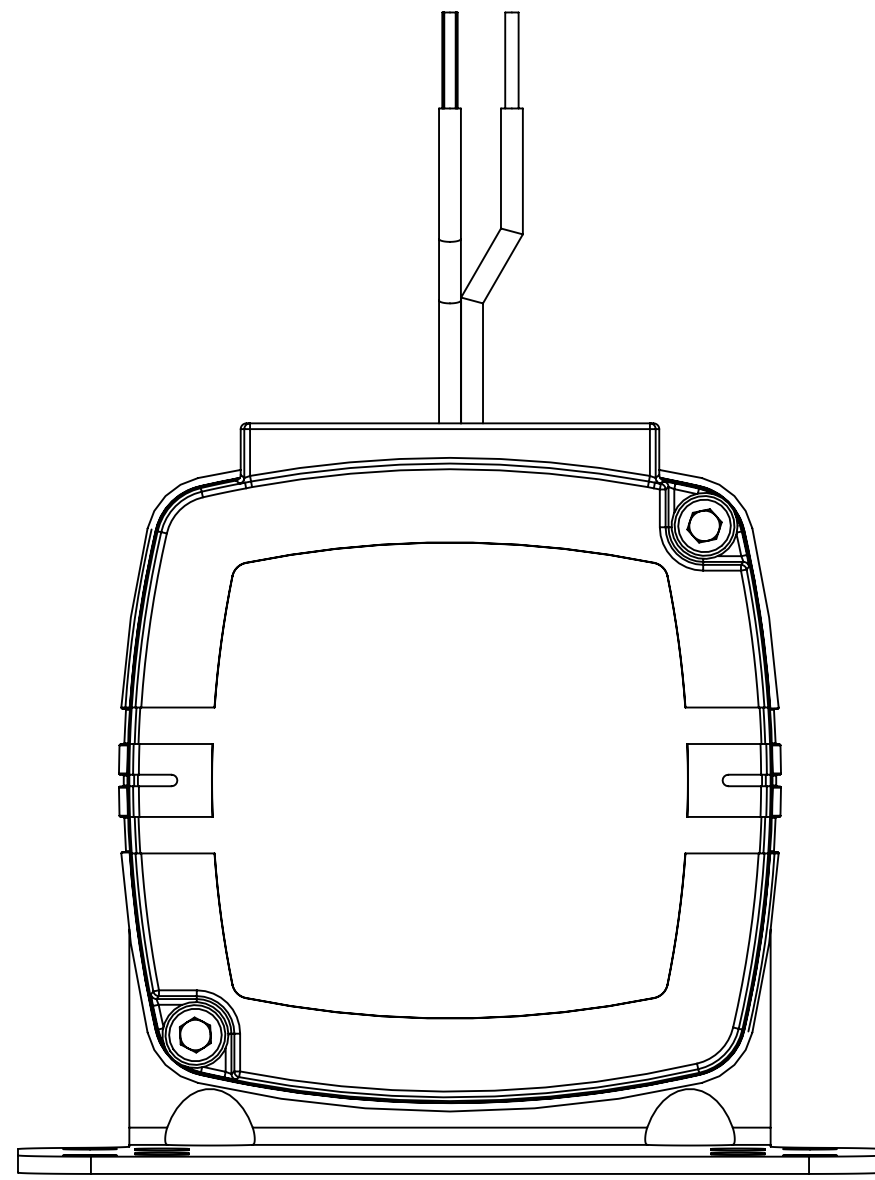
BODINE ELECTRIC COMPANY

PART NO./REV: INFM0298 A

NOTES:
1. TORQUE SCREWS TO ATTACH MODEL 5968 BRACKET TO GEARMOTOR WITH 30 LB-IN



DESCRIPTION:	GEARMOTOR 30R1BECI-D4/5 WITH L BRACKET
SHEET:	1/1
SCALE:	1:1
C	UNLESS OTHERWISE SPECIFIED: UNITS ARE IN INCHES [mm] TOLERANCES: .XX:±.01 .XXX:±.005 ANGLES: X°:±3° X.X°:±0.5°



REPRESENTATIVE OF MODEL NUMBER(S): [WITH OPTIONAL BRACKET MODEL 5968]

5461 5462 5463

4

3

2

1