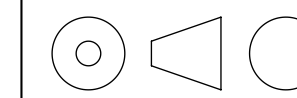
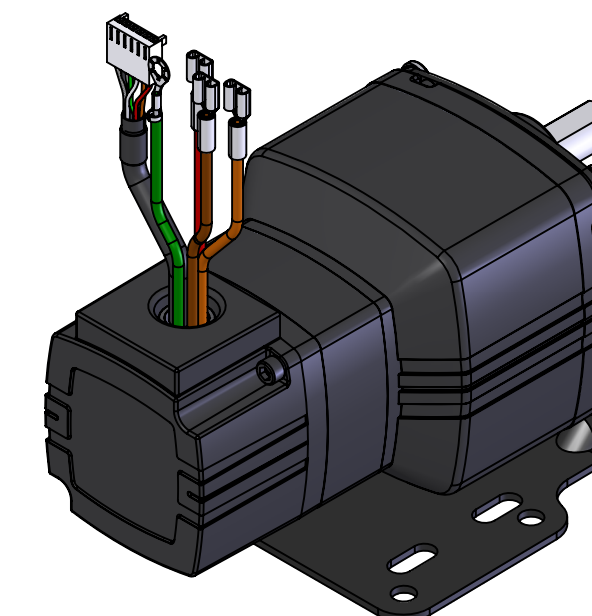
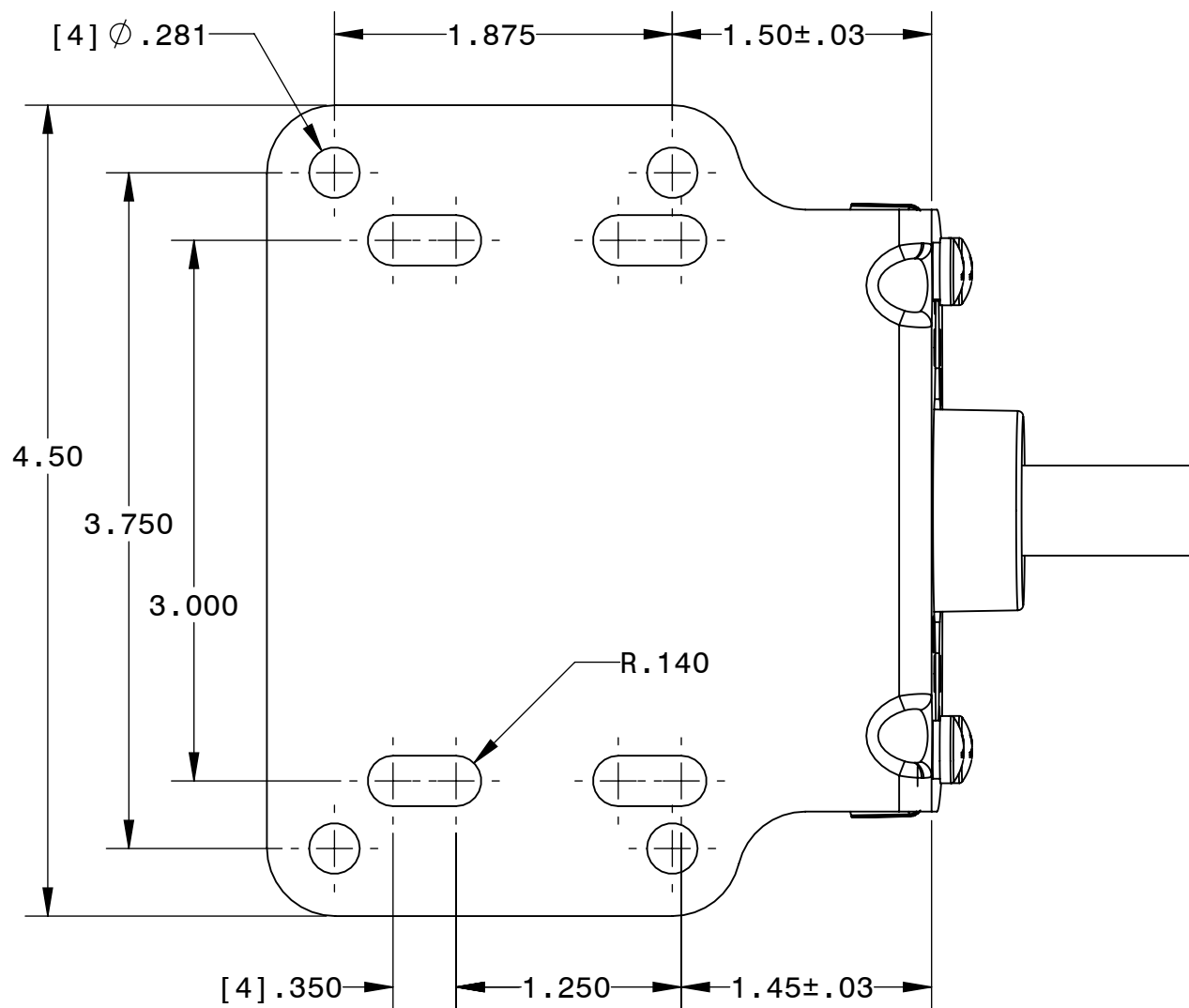
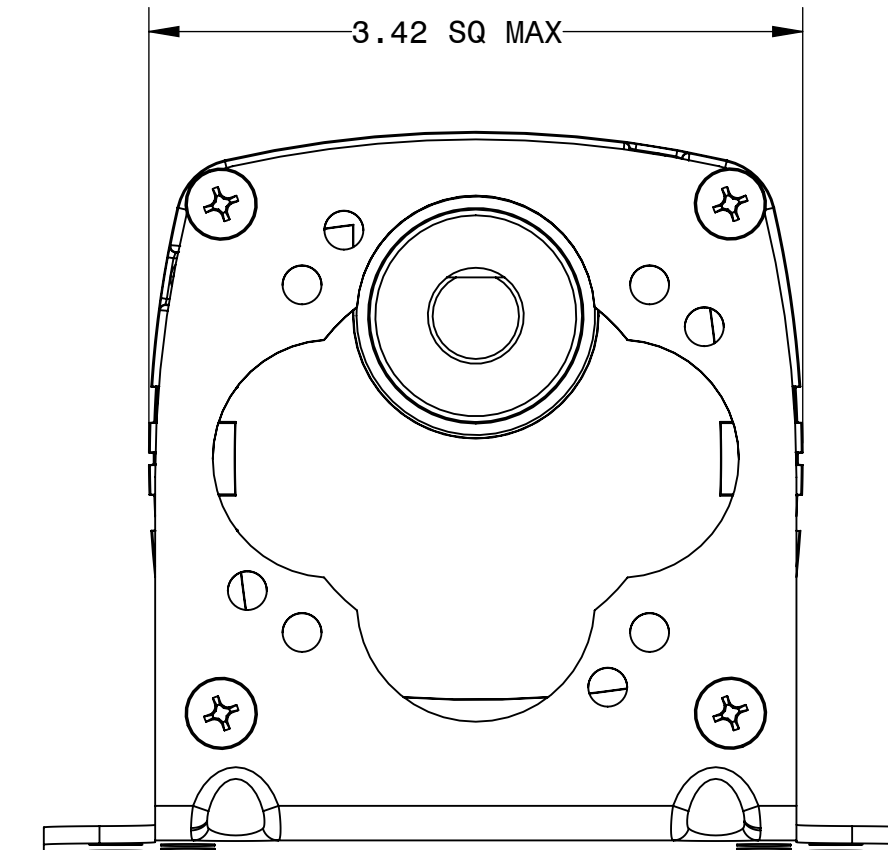
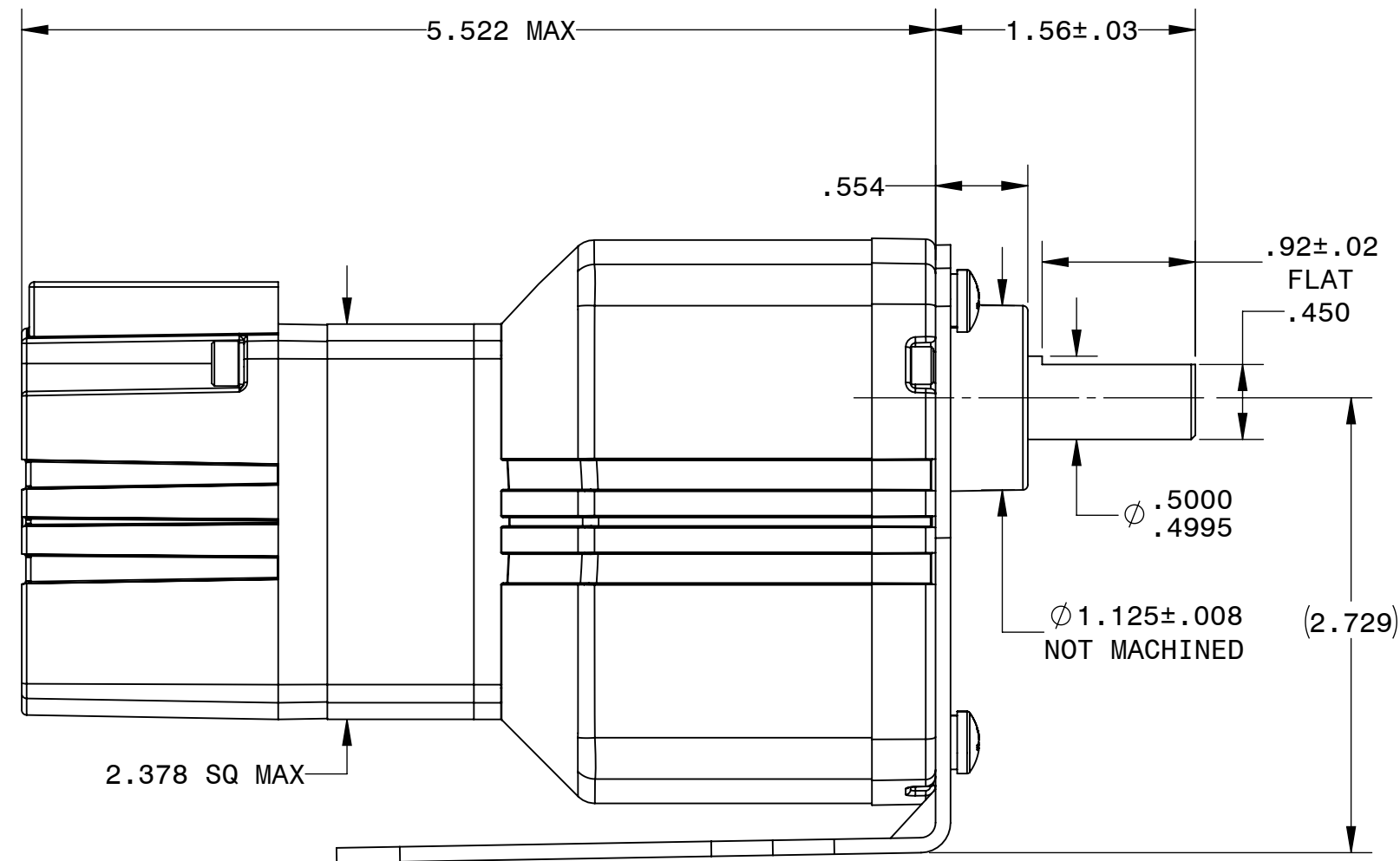
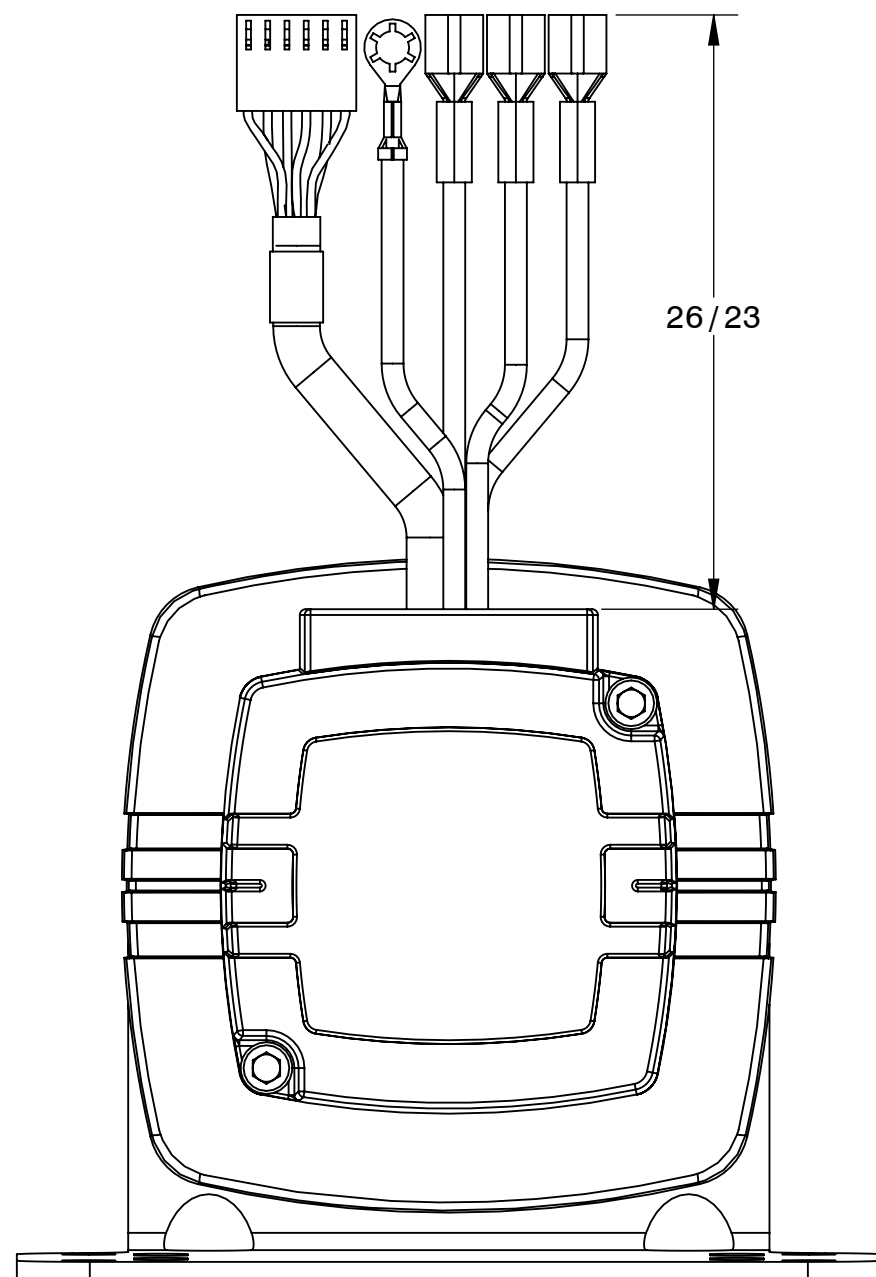


NOTES:  
1. TORQUE SCREWS TO ATTACH MODEL 5968 BRACKET TO GEARMOTOR WITH 30 LB-IN



|              |   |
|--------------|---|
| DESCRIPTION: | GEARMOTOR 22B2BEBL-D3/4 WITH L BRACKET  |
| SHEET:       | 1/1   |
| SCALE:       | 1:1   |
| C            | UNLESS OTHERWISE SPECIFIED:<br>UNITS ARE IN INCHES [mm]<br>TOLERANCES: .XX:±.01 .XXX:±.005<br>ANGLES: X°:±3° X.X°:±0.5° |



REPRESENTATIVE OF MODEL NUMBER(S): [WITH OPTIONAL BRACKET MODEL 5968]  
3526 3527 3528 3529 3534 3535 3536