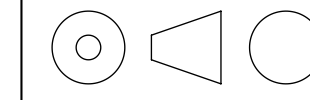
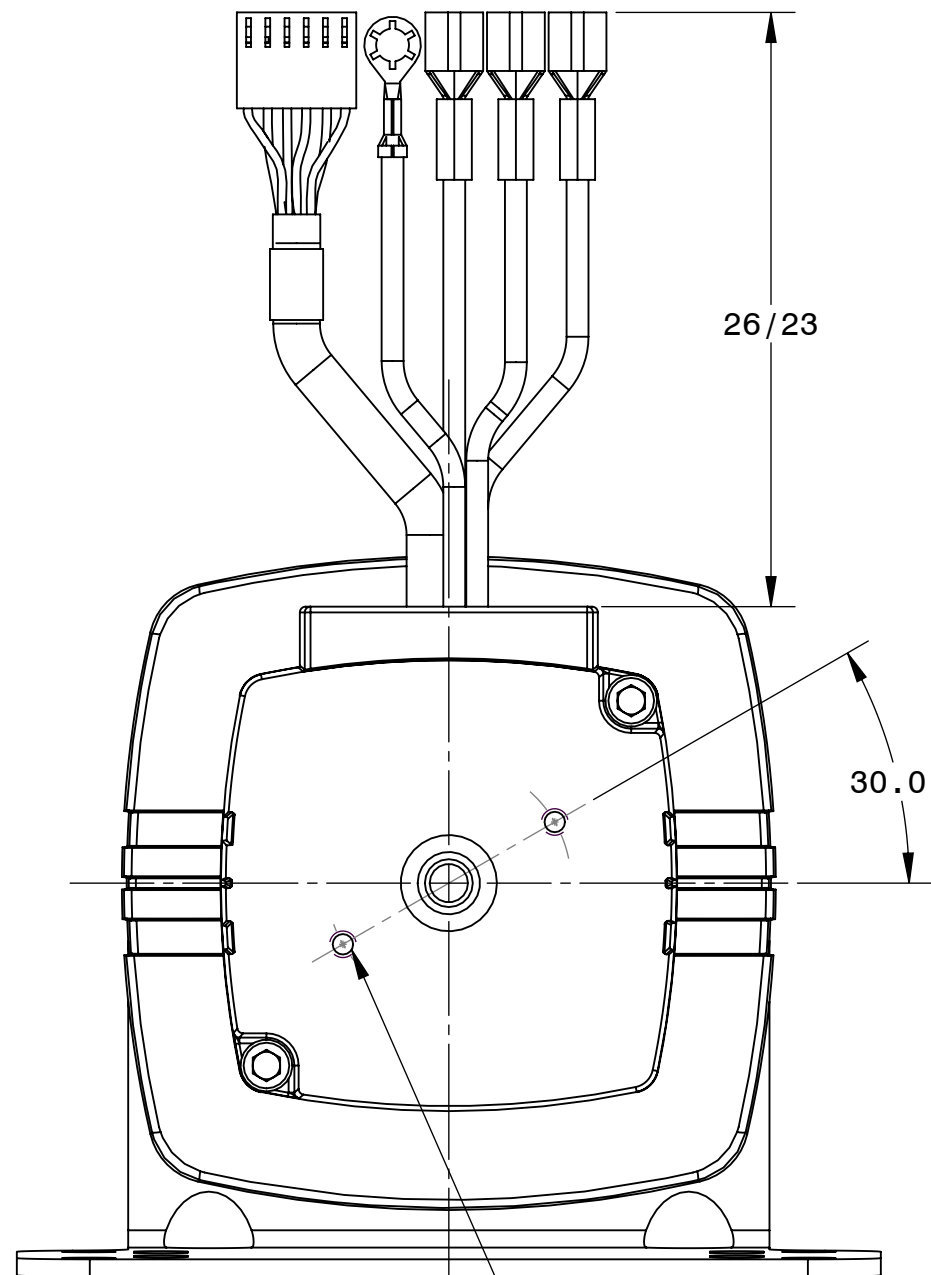


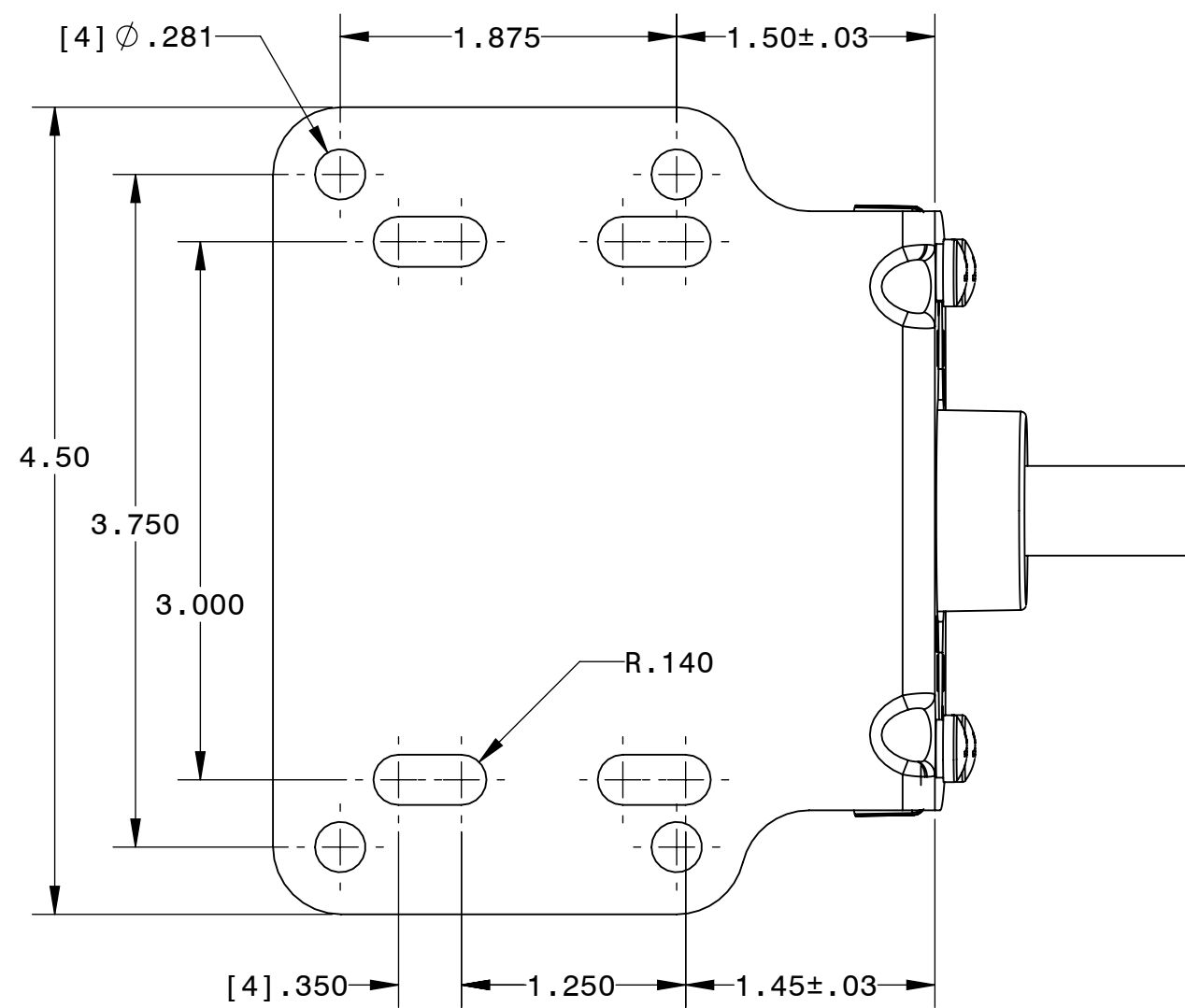
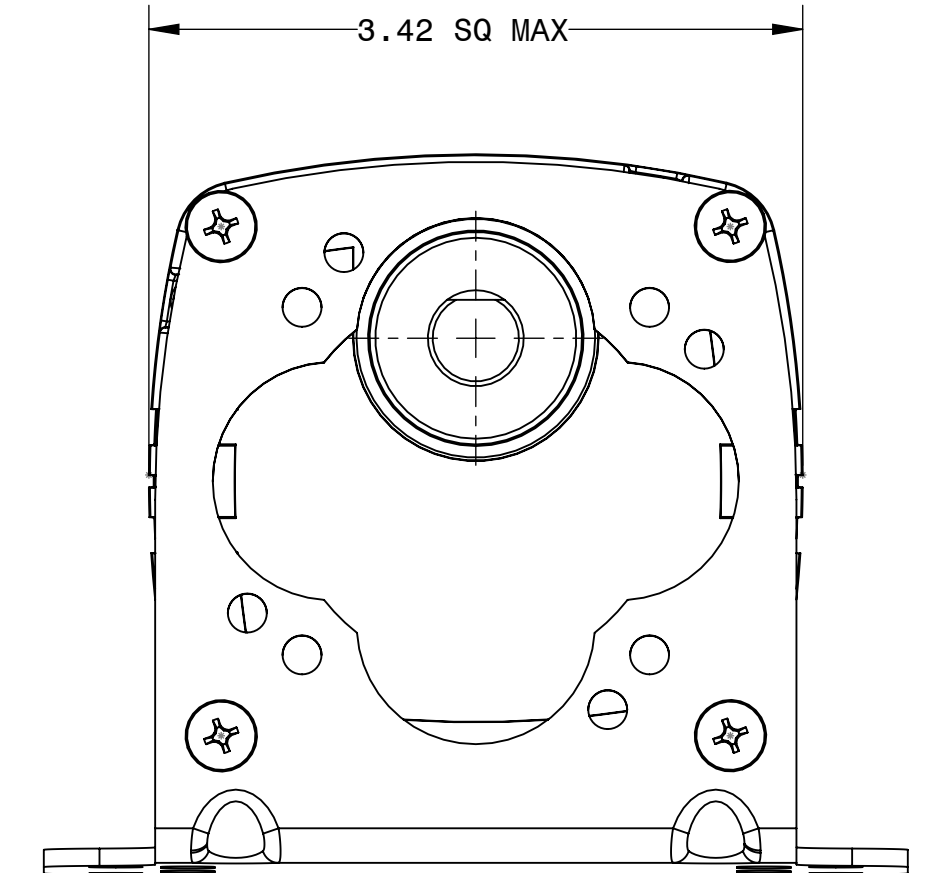
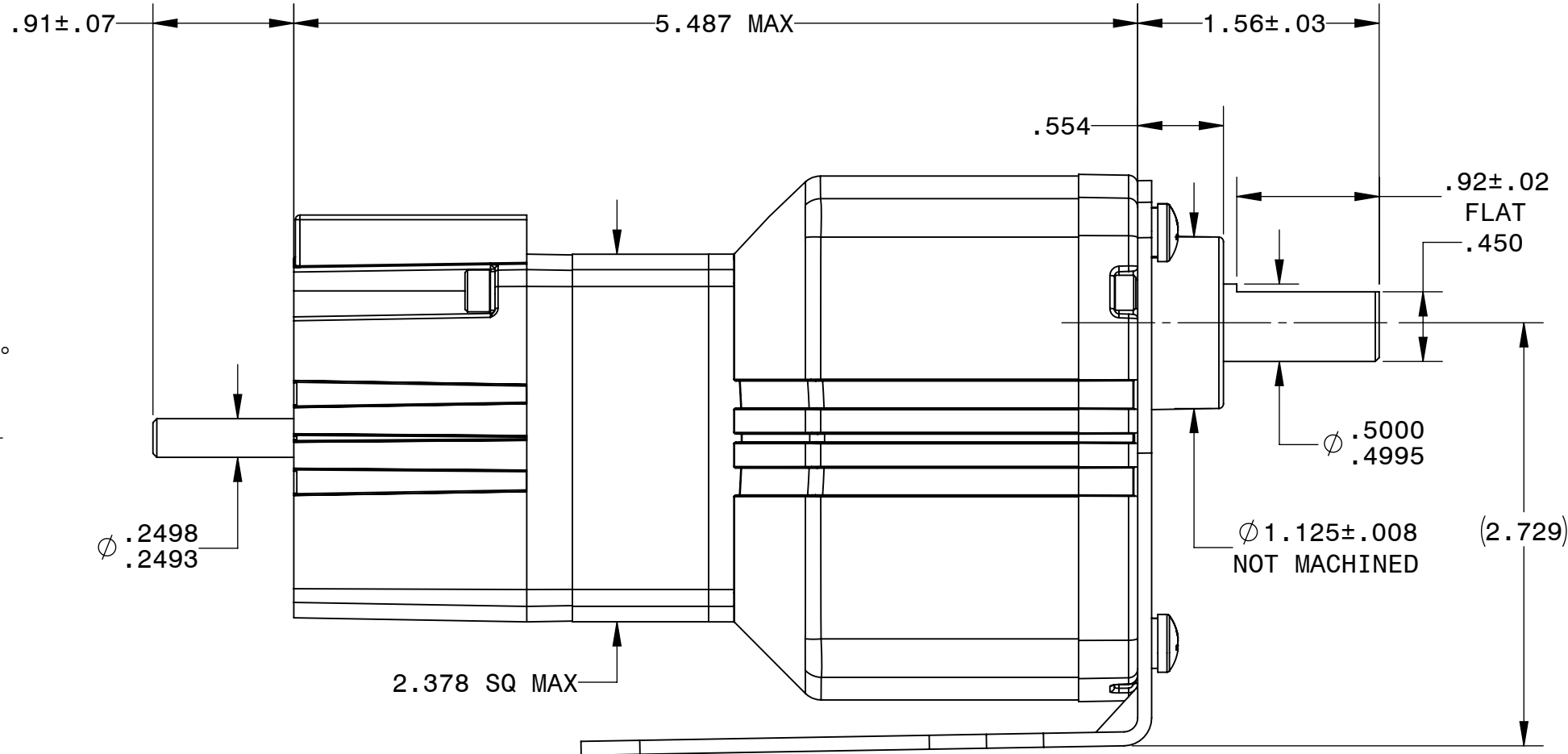
NOTES:
1. TORQUE SCREWS TO ATTACH MODEL 5968 BRACKET TO GERMOTOR WITH 30 LB-IN



DESCRIPTION: GEARMOTOR 22B2FEBL-D3/4 WITH L BRACKET	
SHEET: 1/1	UNLESS OTHERWISE SPECIFIED:
SCALE: 1:1	UNITS ARE IN INCHES [mm]
C	TOLERANCES: .XX:±.01 .XXX:±.005
	ANGLES: X°:±3° X.X°:±0.5°



[2] #6-32 UNC-2B
.19 MAX ∇ 180° APART
ON \varnothing 1.274



REPRESENTATIVE OF MODEL NUMBER(S): [WITH OPTIONAL BRACKET MODEL 5968]

3626 3627 3628 3629 3634 3635 3636

