



34R-WX AC CI/D2 Gearmotors

Class I, Division 2 Construction For Hazardous Locations

Our 34R-WX permanent split capacitor (PSC) gearmotors are available with factory-installed terminal box, terminal block, and capacitor. These special-order gearmotors meet NEC Class I, Division 2 standards for use in environments where flammable gases or vapors may accidentally be spilled or leak into the operating area. Minimum order quantities and lead times apply for these products.

Class I, Division 2 Construction

- Suitable for environments where flammable vapors may occasionally be present
- Upgraded terminal box, gasket material and bushings

WX Gearhead Features

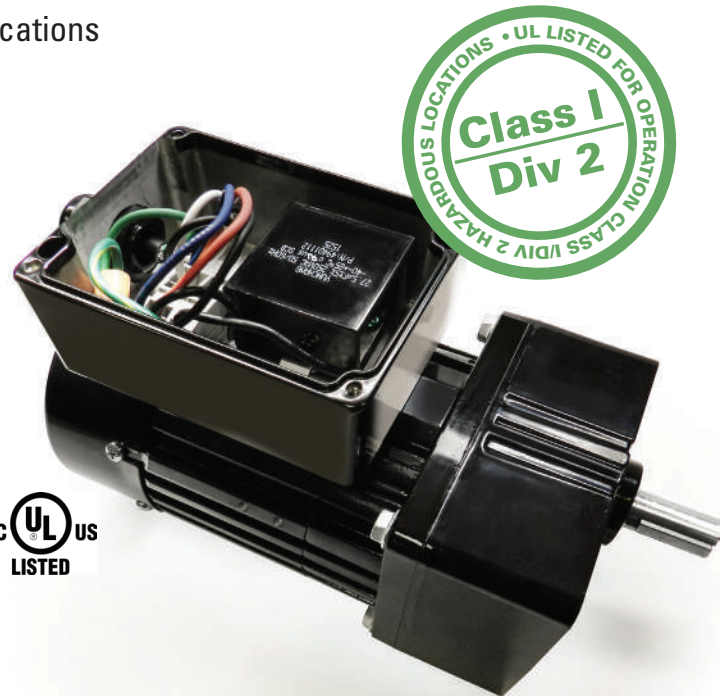
- All steel helical gears; lubricated for life
- Gearing meets or exceeds AGMA 9 standards for quiet operation
- Synthetic lubricant improves performance, and allows these gearmotors to operate in a wide temperature range
- Adaptor plate, model 0995, allows for 3-hole mounting configuration

OEM Winding Options:

- Fixed speed AC, 3-wire reversible
- Fixed speed AC, 4-wire reversible
- Variable speed, AC 3-phase, inverter duty

Gearmotor Specifications and Ratings

Speed (rpm)	Rated Torque (lb-in.)	Motor HP	V	Hz	Ph	Amps	Gear Ratio	Radial Load (lbs.)	Capacitor (µF/VAC)	Product Type	Model Number
Permanent Split Capacitor, Non-synchronous, 3-Wire-Reversible (TEFC)										CAPACITOR IS PRE-INSTALLED	
5	210	1/7	115	60	1	1.7	312	130	27.5/250 (pre-installed)	34R6BFCI-WX4	Contact Bodine
10	200						172	130		34R6BFCI-WX4	
17	195						98	130		34R6BFCI-WX4	
26	195						66	130		34R6BFCI-WX3	
31	190						55	130		34R6BFCI-WX3	
39	157						44	130		34R6BFCI-WX3	
57	106						30	130		34R6BFCI-WX3	
83	77						20	65		34R6BFCI-WX2	
123	46						14	65		34R6BFCI-WX2	
181	31						9	65		34R6BFCI-WX2	
309	18						6	65		34R6BFCI-WX2	
447	9						4	65		34R6BFCI-WX2	



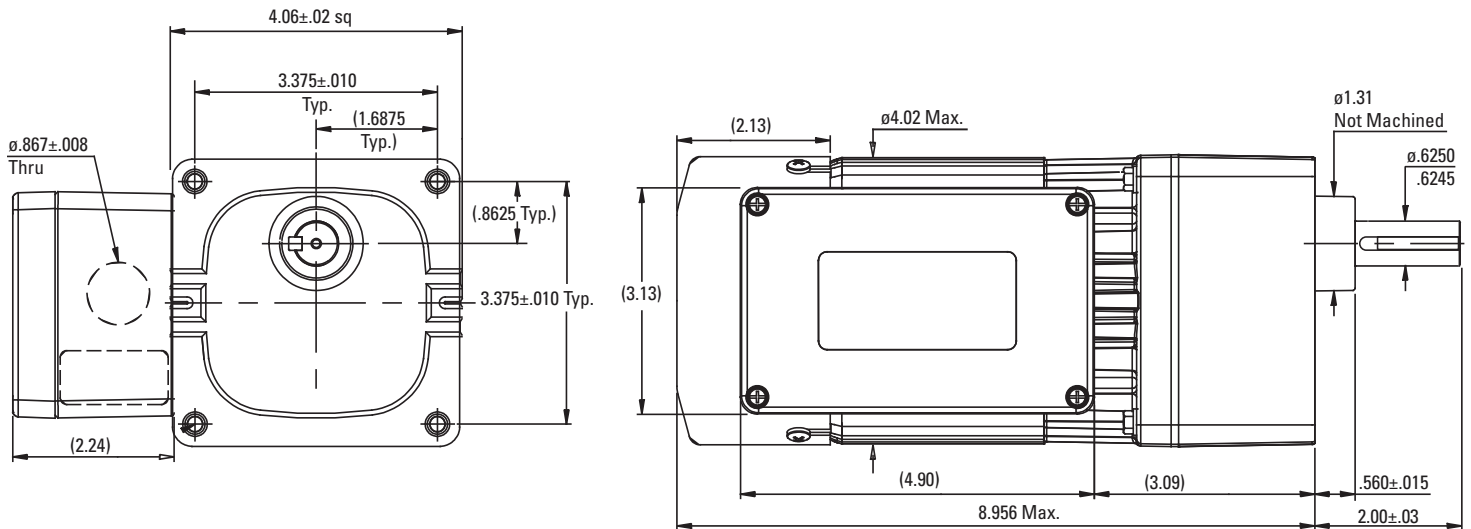
Typical Applications

These gearmotors are designed to drive applications such as conveyor systems, packaging equipment, metering devices, commercial appliances and applications that require Class I, Div 2 standards.



34R-WX Class I, Division 2 AC Gearmotor

Dimensions (inches).



Also available as:



Brushless DC Gearmotors for Class I/Div. 2 Hazardous Locations

Type 34B/SR-WX BLDC Gearmotors with Built-In Speed Controls

Our 34B4/SR-WX INTEGRAMotors™ meet NEC Class I, Division 2 standards for use in environments where flammable gases or vapors may accidentally be spilled or leak into the operating area. Available as standard products, they combine a PWM speed control, a brushless DC motor and a high-torque gearhead in one compact package.