

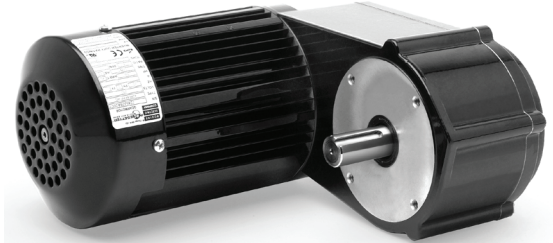


# HG Gearmotors Provide High Torque in a Compact Package

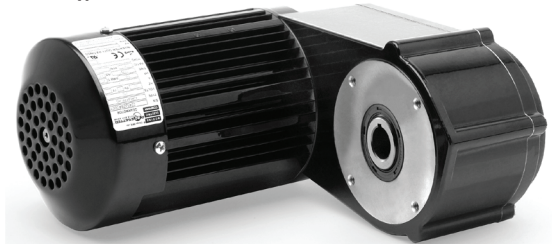
## Up to 1020 lb-in.

Bodine type 42R6-HG parallel shaft offset gearmotors provide flexible mounting and high torque in a small package. They combine a 42R frame AC inverter-duty motor with either a regular or hollow shaft type HG gearhead. New HG/H hollow shaft models eliminate the need for shaft couplings and extra mounting hardware. They can be fitted with either single- or dual-drive shafts.

- HG/H models are available with 230/460VAC Inverter-duty (3-phase) windings. Class F insulation.
- Fixed speed (PSC) or inverter-duty AC geared motors deliver high torque and maintenance-free operation over a wide speed range.
- HG/H models offer left- or right-hand face mount options for maximum flexibility.
- Unvented gearhousing for universal horizontal mounting.
- Permanently lubricated with high-performance lubricant.



Type 42R6-HG



Type 42R6-HG/H Hollow Shaft

### Typical Applications

Typical applications include conveyor systems, chip conveyors, patient mobility applications, food processing equipment, automated watering systems for greenhouses, and many other industrial automation applications.

### Variable Speed – Inverter-Duty AC Gearmotors

Fixed Speed Rating					Variable Speed (SOA) Ratings <sup>1</sup>							Model Number		
Speed (rpm)	Torque (lb-in.)	Motor HP	Current (Amps)	Gear Ratio	Speed Range (rpm)	Frequency Range (Hz)	Torque Type	Torque @ 10 Hz (lb-in.)	Torque @ 60 Hz (lb-in.)	Torque @ 90 Hz (lb-in.)	Radial Load (lbs.)	Product Type	230V	230/460V
<b>Hollow Shaft, 230/460VAC, Three-Phase, Inverter-Duty (TEFC)</b>														
16	1020	3/8	1.9 / 0.95	108	1.6-21.2	10-90	Variable	896	1020	1020	336	42R6BFPP-HG/H		2645
30	610			56	3.2-41			464	776	675	323		2647	
38	490			45	3.9-51			373	623	542	315		2648	
63	294			27	6.6-85			224	374	325	294		2649	
<b>Three-Phase, Inverter-Duty, Non-synchronous (TEFC)</b>														
16	1020	3/8	1.9	108	1.6-21.2	10-90	Variable	896	1020	1020	443	42R6BFPP-HG	2245	
30	610			56	3.2-41			464	776	675	462		2247	
38	490			45	3.9-51			373	623	542	444		2248	
63	294			27	6.6-85			224	374	325	403		2249	

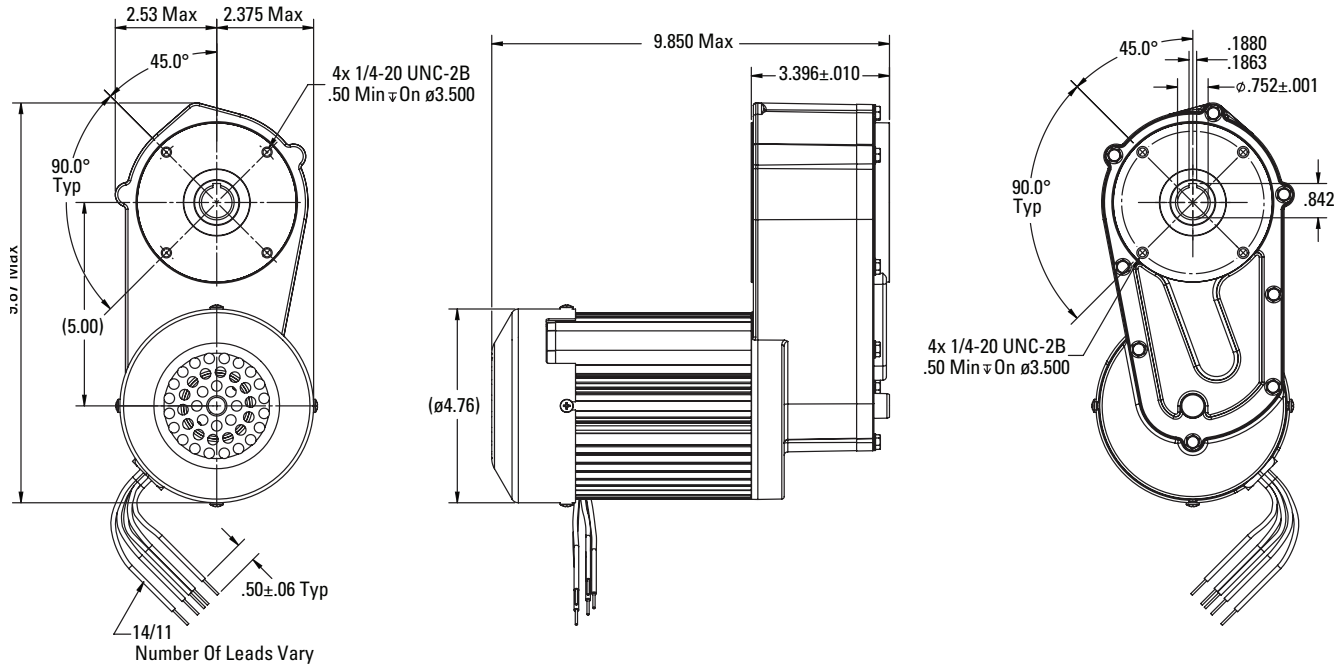
### Fixed Speed – AC Gearmotors

Speed (rpm)	Rated Torque (lb-in.)	Motor HP	Voltage (AC)	Frequency (Hz)	Phase	Current (Amps)	Gear Ratio	Radial Load (lbs.)	Capacitor (µF/VAC)	Product Type	Model Number
<b>Permanent Split Capacitor, Non-synchronous (TEFC)</b>											
<b>CAPACITOR IS REQUIRED</b>											
16	621	1/5	115	60	1	2.7	108	691	30.0/250	42R6BFCL-HG	5255
30	322						56	609			5257
38	259						45	573			5258
63	155						27	501			5259

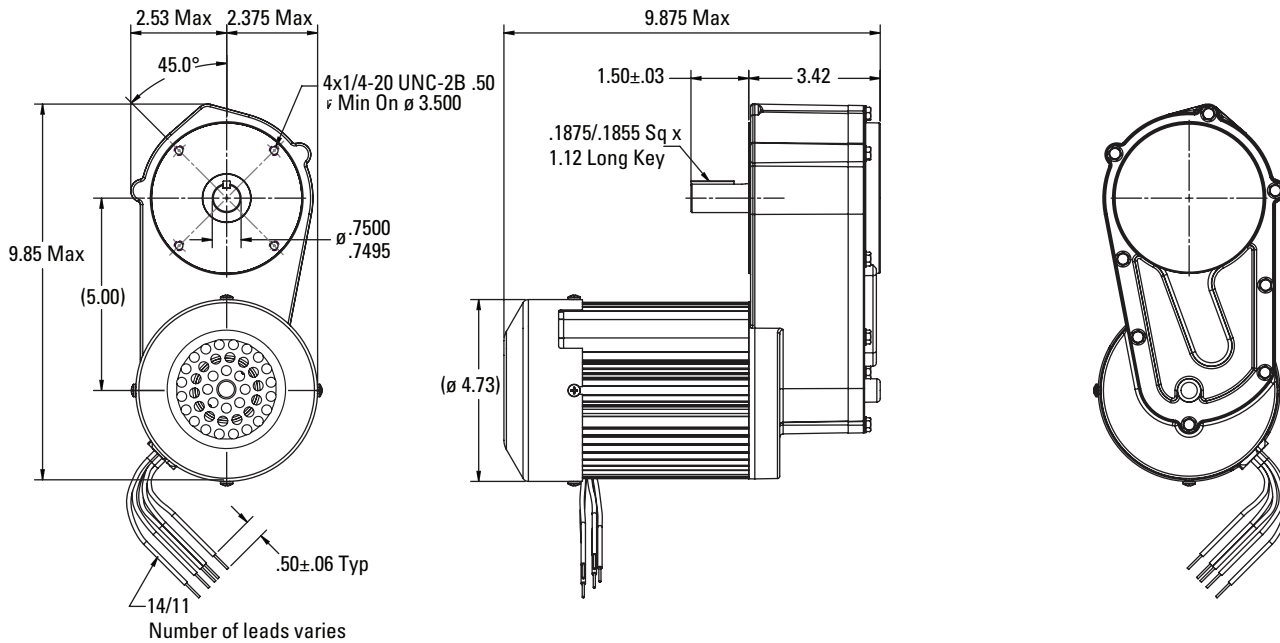


## Type 42R6-HG/H Hollow Shaft AC Inverter-Duty Gearmotors

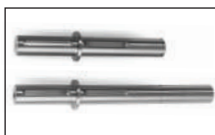
Dimensions (inches)



## Type 42R6-HG Offset Parallel Shaft AC Gearmotors



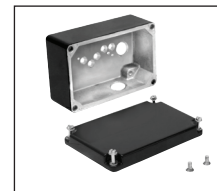
## Optional Accessory Kits



**Model 0932** single-extension and **model 0933** double-extension, 3/4-inch stainless steel shaft kits for HG/H models.



**Model 0954** shaft cover kit for the non-extension shaft side of the type HG/H gearhead.



**Model 0984** (standard) or **model 0986** (larger) terminal box kit.