



HG Gearmotors Provide High Torque in a Compact Package

Up to 702 lb-in.

Bodine type 33A7-HG parallel shaft offset gearmotors provide flexible mounting and high torque in a compact package. They combine a high-performance type 33A permanent magnet DC (PMDC) frame motor with either a regular or hollow shaft type HG gearhead. New HG/H hollow shaft models eliminate the need for shaft couplings and extra mounting hardware. They can be fitted with either single- or dual-drive shafts.

- 12V, 24V, 90V & 180V (SCR Rated) and 130VDC winding options. Class F insulation system.
- The type 33A7 motor delivers high starting torque, adjustable speed, and predictable performance under a range of operating conditions.
- Unvented gearhousing for universal horizontal mounting; permanently lubricated with high-performance lubricant.
- HG/H models offer left- or right-hand face mount options for maximum flexibility.



Type 33A-HG



Type 33A-HG/H
Hollow Shaft

Typical Applications

Typical applications include conveyor systems, chip conveyors, patient mobility applications, food processing equipment, automated watering systems for greenhouses, and many other industrial automation applications.

Type 33A7-HG/H Hollow Shaft Offset PMDC Gearmotors

Speed (rpm)	Rated Torque (lb-in)	Peak Torque (lb-in)	Rated Current (Amps)	Motor HP	Form Factor	Gear Ratio	Radial Load	Product Type	Model No.
130 VDC, Totally Enclosed, Non-ventilated, Class F Temperature Rating									
23	702	1300	2.3	1/3	1.0	108	344	33A7FEPM-HG/H	6073
45	364	1100		1/3	1.0	56	321		6072
56	292	1100		1/3	1.0	45	309		6071
93	176	800		1/3	1.0	27	277		6070
90 VDC, Totally Enclosed, Non-ventilated, Class F Temperature Rating									
23	524	1300	2.2	1/4	1.4	108	386	33A7FEPM-HG/H	6077
45	272	1100		1/4	1.4	56	342		6076
56	218	1100		1/4	1.4	45	326		6075
93	131	800		1/4	1.4	27	288		6074
180 VDC, Totally Enclosed, Non-ventilated, Class F Temperature Rating									
23	416	1300	1.1	1/5	1.5	108	411	33A7FEPM-HG/H	6081
45	216	1100		1/5	1.5	56	355		6080
56	173	1100		1/5	1.5	45	337		6079
93	104	800		1/5	1.5	27	294		6078
24 VDC, Totally Enclosed, Non-ventilated, Class F Temperature Rating									
23	702	1300	14	1/3	1.0	108	344	33A7FEPM-HG/H	6085
45	364	1100		1/3	1.0	56	321		6084
56	292	1100		1/3	1.0	45	309		6083
93	176	800		1/3	1.0	27	277		6082
12 VDC, Totally Enclosed, Non-ventilated, Class F Temperature Rating									
23	416	1300	16.8	1/5	1.0	108	411	33A7FEPM-HG/H	6089
45	216	1100		1/5	1.0	56	355		6088
56	173	1100		1/5	1.0	45	337		6087
93	104	800		1/5	1.0	27	294		6086

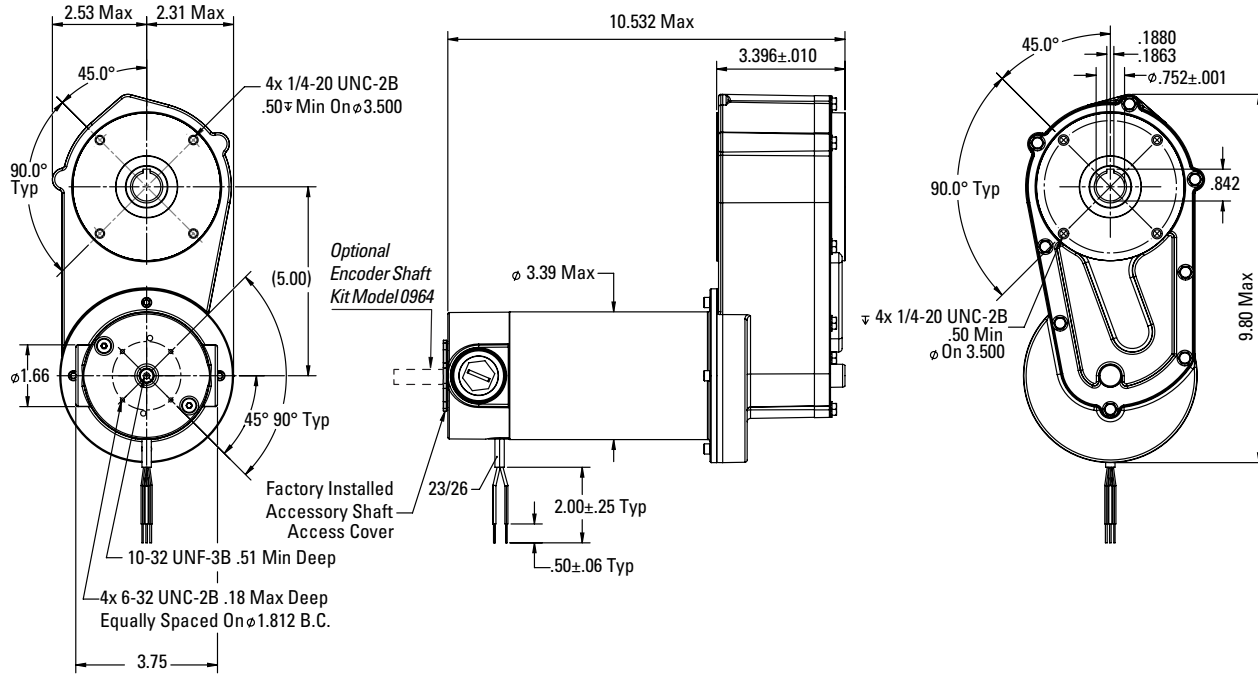
Type 33A7-HG Gearmotors

Speed (rpm)	Rated Torque (lb-in.)	Rated Current (Amps)		Motor HP	Gear Ratio	Radial Load (lbs.)	Product Type	Accy Shaft		No Accy Shaft	
		24V	90/130V					24V	90/130V		
24V Models With Class F Temperature Rating											
23	680	12	—	1/3	108	350	33A7BEPM-HG	6823	6423	—	—
45	353				56			6845	6445	—	—
56	284				45			6856	6456	—	—
93	170				27			6893	6493	—	—
90/130V Models With Class F Temperature Rating											
16 / 23	481 / 680	—	1.8 / 2.4	1/6 / 1/3	108	350	33A7BEPM-HG	—	—	6323	6023
31 / 45	249 / 353				56			—	—	6345	6045
38 / 56	200 / 284				45			—	—	6356	6056
64 / 93	120 / 170				27			—	—	6393	6093

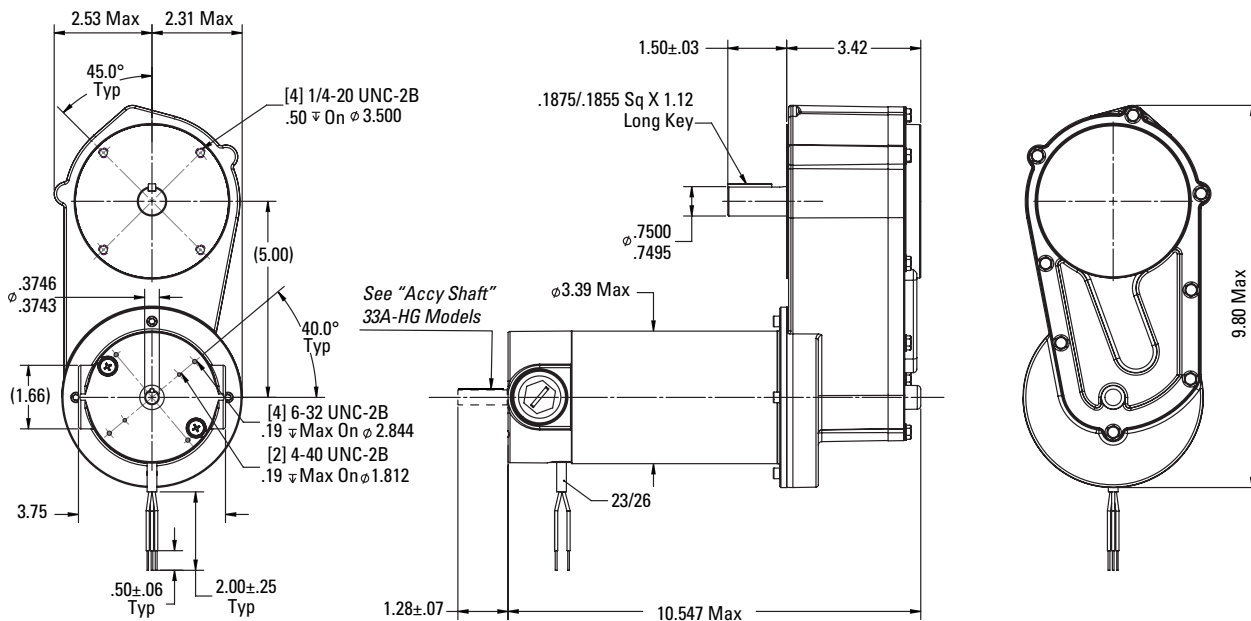


Type 33A7-HG/H Hollow Shaft Offset PMDC Gearmotors

Dimensions (inches)



Type 33A7-HG Offset Parallel Shaft PMDC Gearmotors



Optional Accessory Kits



Model 0932 (single) and **Model 0933** (double) extension stainless steel shaft kits for HG/H models.



Model 0954 shaft cover kit for the non-extension shaft side of the type HG/H gearhead.



Model 0964 stainless steel encoder shaft kit, 3/8 inch diameter for HG/H models.



Model 0984 (standard) or **model 0986** (larger) terminal box kit.